



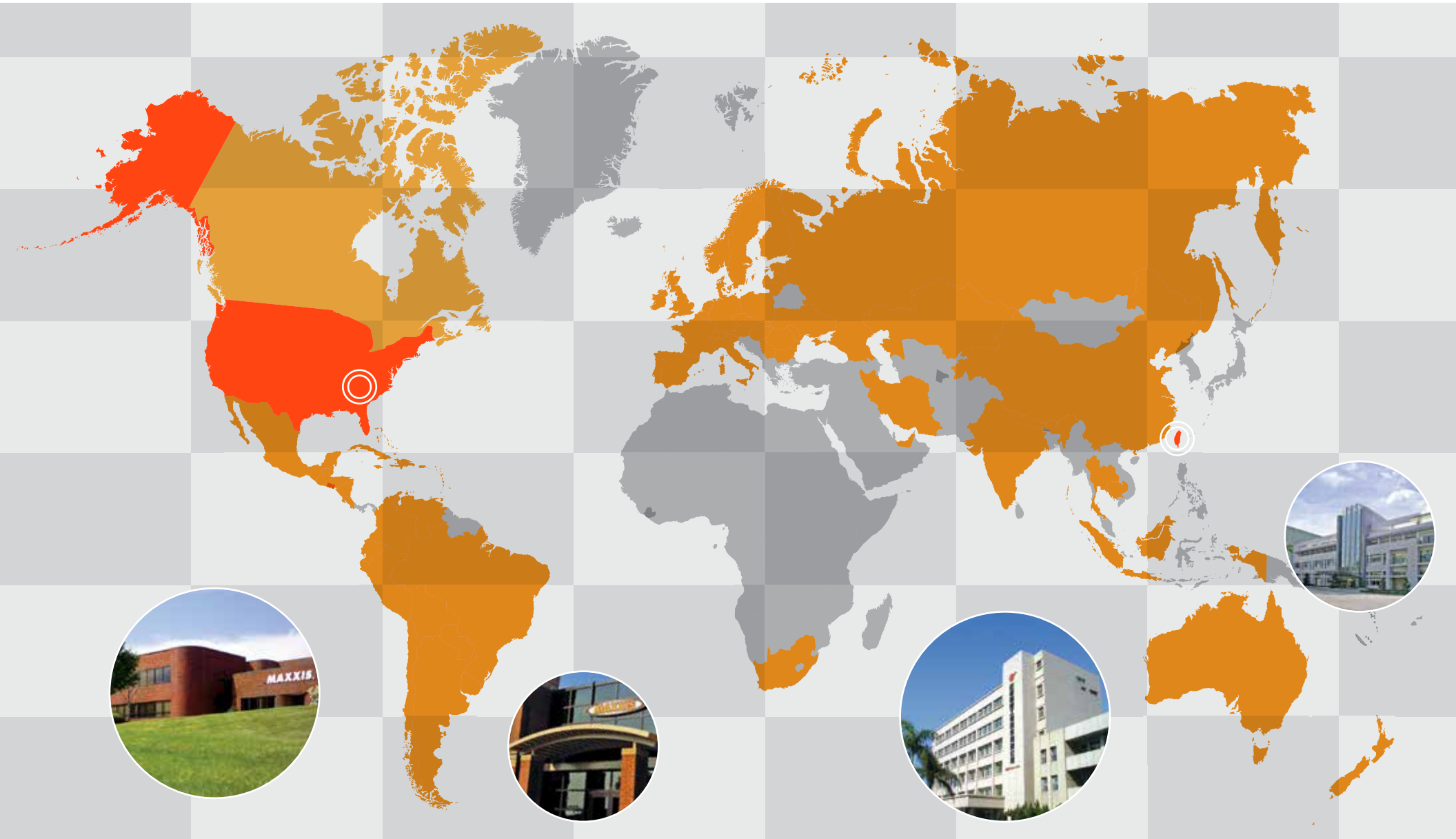
RIDER: DARREN BERRELOTH PHOTO: PARIS GORE

**MAXXIS®**

2017 BICYCLE | GLOBAL

MAXXIS CORPORATE

MAXXIS DISTRIBUTION



Maxxis International – USA  
545 Old Peachtree Road / Suwanee, GA 30024, USA  
Tel: 1.800.4.MAXXIS / Tel: 1.770.962.5932 / Fax: 1.770.962.7705

Maxxis Technology Center – USA  
480 Old Peachtree Road / Suwanee, GA 30024, USA  
Tel: 1.678.376.4420 / Fax: 1.770.822.4361

Maxxis International – HQ  
215 Meei-Kong Rd. / Ta-Tsun, Chang-Hwa / Taiwan  
Tel: 886.4.852.5151 / Fax: 886.4.852.6468

Maxxis International  
Research and Development Center

At MAXXIS we strive to provide the highest quality products and customer service with the goal of creating lifelong Maxxis customers. Anchored by a strong commitment to our values, we form close partnerships with our stakeholders, and together we work to consistently exceed our customers' expectations.

From design to production, from the factory floor to your favorite road or trail, Maxxis products lead the way in technological advances. For bicycle, automotive, light truck, ATV, motorcycle, kart, trailer and lawn & garden, Maxxis provides the quality customers have come to depend on.

Total customer satisfaction has been Maxxis' guiding purpose since 1967. Working toward this goal has built Maxxis into the successful, worldwide company it is today. Champions around the world choose Maxxis because they know that our extensive product research, unique designs and rigorous testing standards produce tires that will elevate riders to the next level.

For more information on the entire Maxxis product line, visit us at [maxxis.com](http://maxxis.com).



PHOTO: ADAM CAMPBELL



## TECHNOLOGY

OVERVIEW	06
WIDE TRAIL	06

## PROTECTION

NYLON BREAKER	07
SILKSHIELD	07
MAXXSHIELD	07
E-BIKE	08
SILKWORM	08
KEVLAR INSIDE	08
KEVLAR COMPOSITE	08
EXO	09
BUTYL INSERT	09
DOUBLE DOWN	09

## CONSTRUCTION

TUBULAR ROAD	10
RADIAL ROAD	10
TUBELESS READY ROAD	11
TUBELESS READY DOWNHILL	11

## COMPOUNDS

SINGLE	12
DUAL	12
SUPER TACKY	12
3C TRIPLE COMPOUND ROAD	12
3C TRIPLE COMPOUND MTB	13

## TERRAIN GUIDES

ROAD/HYBRID	14
BMX / TRIALS	14
URBAN	14
CYCLOCROSS	14
GRAVEL / ADVENTURE	14
MOUNTAIN / DOWNHILL	15
FAT / PLUS	15

## ROAD TUBULAR

CAMPIONE	17
RELIX	17
FORZA	18
VELOCITA	18

## ROAD TUBELESS

PADRONE-TR	19
ROULER-TR	19

## ROAD CLINCHER

RELIX	20
DOLOMITES	20
RE-FUSE	21

## CYCLOCROSS

RAZE	23
SPEED TERRANE	23
ALL TERRANE	24

## GRAVEL / ADVENTURE

RE-FUSE	27
RAMBLER	27
RAVAGER	28

## HYBRID

ROAMER	30
GYPSY	31
RE-VOLT	31

## MOUNTAIN

RACE TT	33
CROSSMARK II	33
IKON	34
REKON	34
ARDENT RACE	35
ARDENT	35
FOREKASTER	36
TOMAHAWK	36
GRIFFIN	37
AGGRESSOR	37
MINION SS	38
MINION DHF	38
MINION DHR II	39
HIGH ROLLER II	39

## DOWNHILL

MINION SS	41
MINION DHF	41
MINION DHR II	42
HIGH ROLLER II	42
SHORTY	43
WETSCREAM	43

## FAT/PLUS

IKON+	45
REKON+	45
MINION DHF	46
MINION DHR II	46
HIGH ROLLER II	47
MINION FBF	48
MINION FBR	48
COLOSSUS	49

## URBAN

DTH	51
TORCH	51

## BMX

TORCH	53
GRIFTER	53

## MODIFIED TRIALS

CREEPY CRAWLER F	54
CREEPY CRAWLER R	54

## INNER TUBES

FLYWEIGHT	55
ULTRALIGHT	55
WELTERWEIGHT	56
FREERIDE	56
DOWNHILL	57
FAT BIKE	57

## QUICK REFERENCE

FULL PRODUCT/SPEC LISTING	58
---------------------------	----

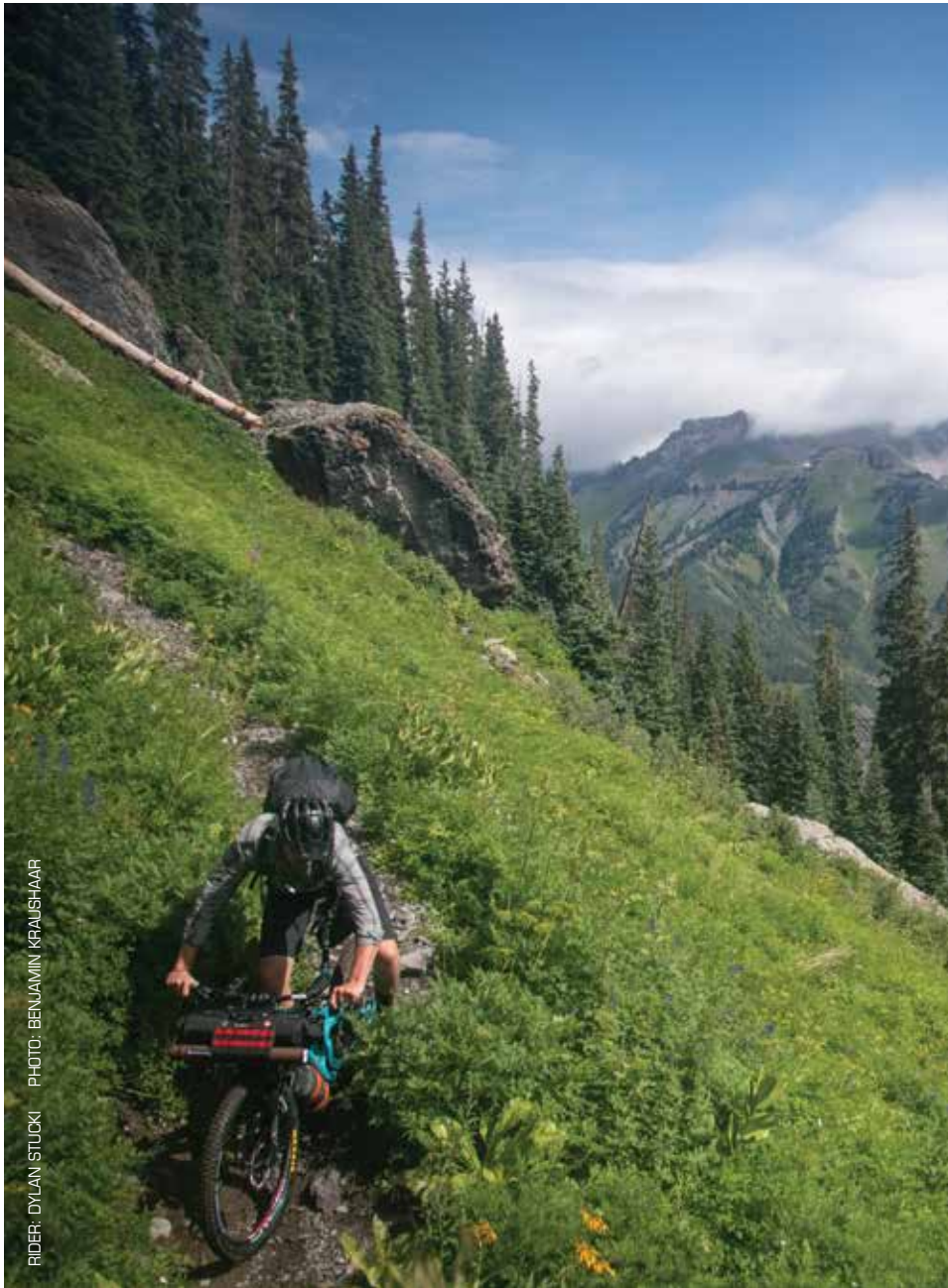


UNITED HEALTHCARE PRO CYCLING TEAM

Maxxis makes every effort to ensure the accuracy of the information we publish. Maxxis is not responsible for errors or misprints in our materials. Specifications and item availability are subject to change without notice. Actual weights and measurements may vary from those published herein. Weights are listed in grams.

© 2016 Maxxis International.  
All rights reserved.

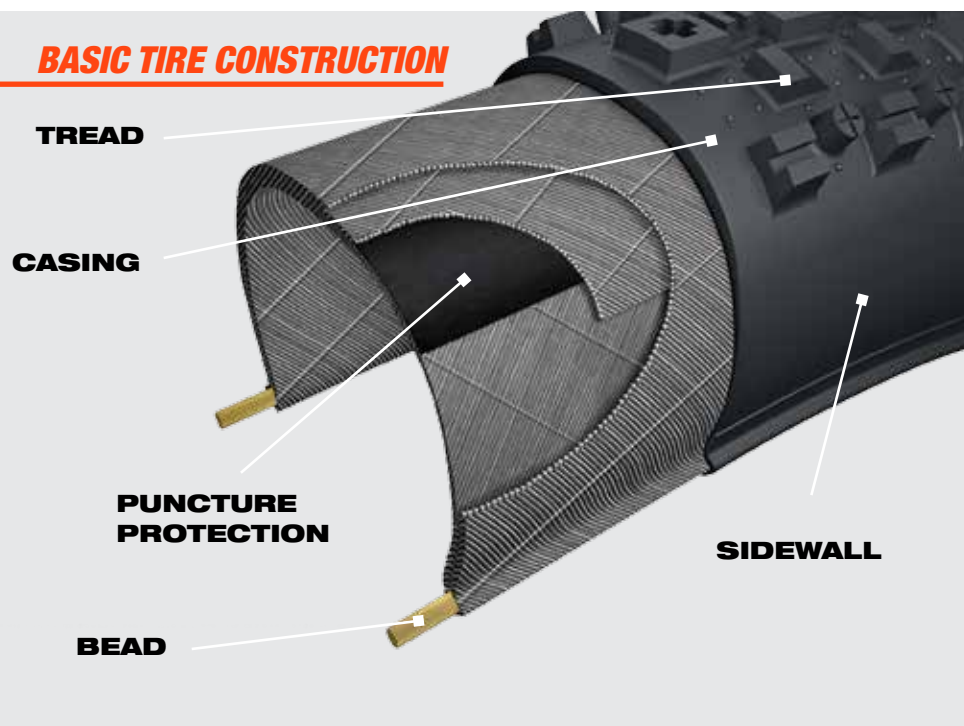




RIDER: DYLAN STUCKI PHOTO: BENJAMIN KRAUSHAAER

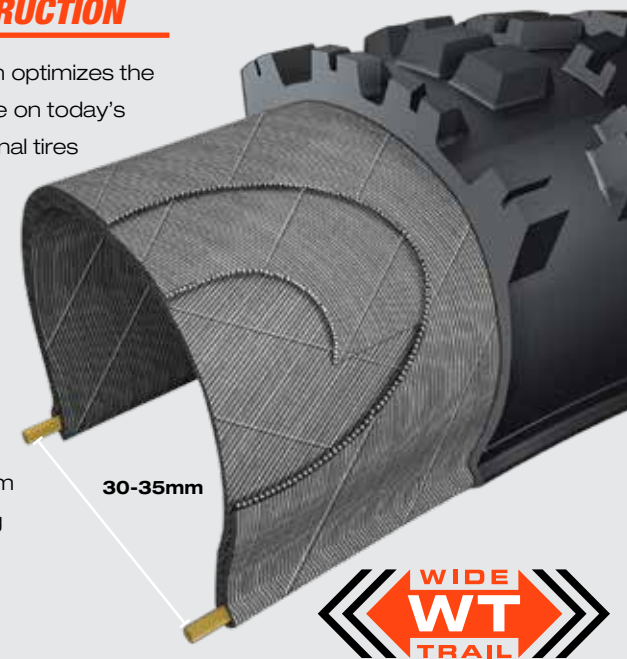
- Consult your owner's manual for specific tire information.
- Clearance around tires must be maintained. Increasing tire size may require an increased rim width. Inspect tires closely for sufficient clearance.
- Always wear protective eyewear when installing inner tubes or tires.
- When replacing tires, be sure to also replace the inner tubes. Stretched inner tubes can crease and fail due to thinning of the inner tube rubber.
- Consult your bicycle professional for correct rim strip replacement.
- Make sure your tube size markings match the tire size.
- Use tire only for designated terrain, on an appropriate bicycle and using proper safety equipment at all times.
- Follow tire pressure guidelines located on your tire.
- Check tire pressure before every ride.
- Check your valve cores for damage. If valve cores are damaged, replace them.
- Check your tires for damage before and after riding. Punctured, cracked, bulging or blistered tires should be replaced immediately. If not replaced, damage can result in sudden and complete tire failure.
- Check to ensure that the beads of the tires are fully and evenly seated around the entire circumference of the rims before every ride.
- After replacing worn tires, take time to become acquainted with the handling and performance of your new tires.
- Do not cut, sipe or otherwise modify your tires.
- Check for broken or damaged spokes and replace as necessary.
- Replace bent or damaged rims or wheels immediately.
- Liquid sealants should only be used in the following types of tires: Tubeless Road, Tubular, and Tubeless Ready. The use of liquid sealants in any other Maxxis tire will void the warranty.
- Tube-type tires should only be used in conjunction with an inner tube on an approved rim.
- Do not store tires in direct sunlight for extended periods of time.
- Allowing tires to stand in oil, gasoline or other chemicals may have an adverse effect on the rubber compounds of the tire.
- Failure to follow these guidelines can result in accelerated tread wear and may cause catastrophic tire failure.

## BASIC TIRE CONSTRUCTION



## WIDE TRAIL CONSTRUCTION

Wide Trail (WT) construction optimizes the tire's tread layout and profile on today's modern wider rims. Traditional tires are designed around older, narrower rims and can create an overly square tire profile, leading to less than optimal performance. WT tires are optimized for a 35mm inner rim width, but are proven to work over a range from 30-35mm inner rim widths, depending on the rider's preference.



## BEAD

The function of the bead is to keep the tire in contact with the rim while the tire is inflated.

### WIRE BEAD

A rigid metal wire is utilized as bead material in applications where ultimate strength is needed and transportability is not a factor.

### FOLDABLE BEAD

Foldable beads also keep the tire secured to the rim but are lighter weight and easily transported. The bead is made of spun aramid or Kevlar® fibers.

### CARBON FIBER BEAD

A flexible material with greater strength to withstand the forces exerted by a high-pressure road tire.

## CASING

### SINGLE-PLY CASING

One layer of nylon wrapped from bead to bead. A single-ply casing conforms well to the terrain and is lighter weight.

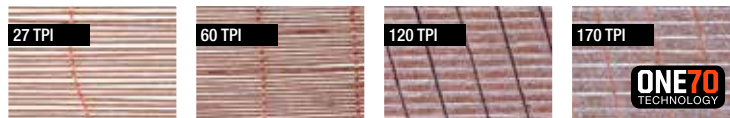
### DOWNHILL (DH) CASING

Two layers of casing material are used from bead to bead, providing additional protection and sidewall stiffness for downhill applications.

## THREADS PER INCH (TPI)

The number of threads that cross through one square inch of a single ply of the tire's casing. Lower TPI gives better puncture, cut and abrasion resistance but is heavier. Higher TPI conforms better to the terrain, offering a smoother, more comfortable ride while reducing the weight of the tire.

Maxxis TPI ratings are the threads-per-inch of a single casing ply, as compared to some competitor TPI ratings.



## TUBELESS READY



Tubeless tires provide the rider with many benefits: the ability to run lower air pressures, which improves traction; lower rolling resistance when compared to a tube-type tire; and less chance of flattening since there is no tube. Maxxis Tubeless Ready (TR) tires provide the benefits of a UST tubeless tire without the weight penalty.

Liquid sealants should only be used in the following types of tires: Tubeless Road, Tubular, and Tubeless Ready. The use of liquid sealants in any other Maxxis tire will void the warranty.



### NYLON BREAKER

The nylon breaker is a reinforcement option that offers protection from punctures directly under the tread area. The nylon breaker is available in select road tires.

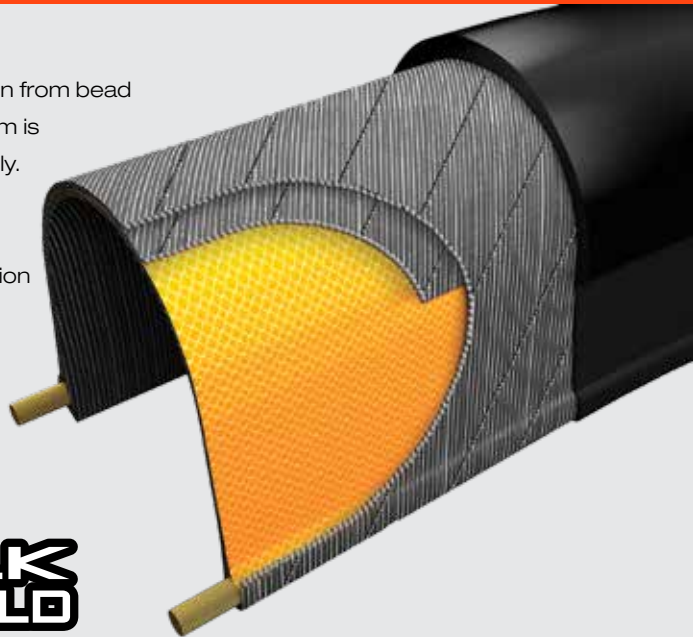


PHOTO: ADAM CAMPBELL

### SILKSHIELD

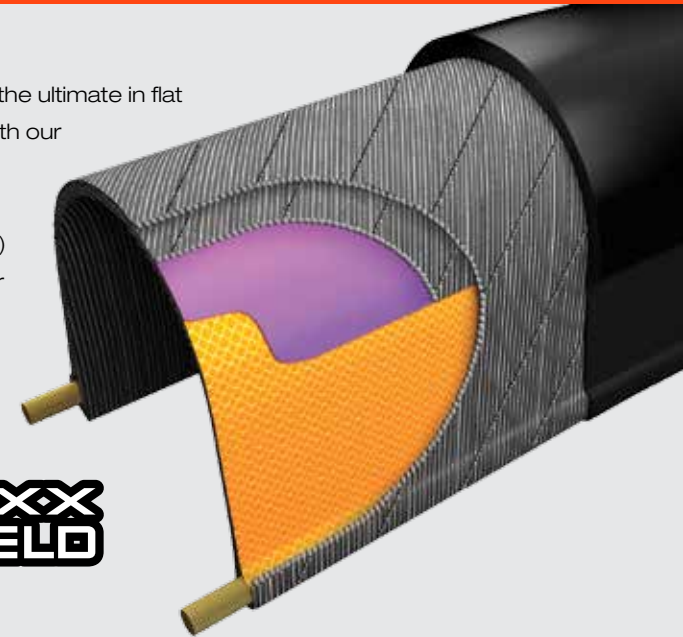
SilkShield offers protection from bead to bead whereas SilkWorm is found under the tread only.

SilkShield provides an additional level of protection for sidewalls as well as under the tread.



### MAXXSHIELD

MaxxShield represents the ultimate in flat protection. We begin with our SilkShield bead to bead protection and add our K2 (Kevlar® Composite) layer under the tread for unparalleled durability.





**E-BIKE TIRE**

eBike tires are designed to meet European ECE-R75 standards, guaranteeing performance and reliability for the additional cargo capacity and increased speeds electric bikes can offer.



**SILKWORM**

Silkworm Technology is an exclusive material incorporated into the casing of select models, increasing puncture and tear resistance. Silkworm is featured under the tread as a breaker (denoted as Silkworm)



**KEVLAR® INSIDE**

A Kevlar® material positioned between the tire tread and the casing. Similar to MaxxProtect technology, Kevlar® Inside varies in thickness and provides optimal puncture protection.



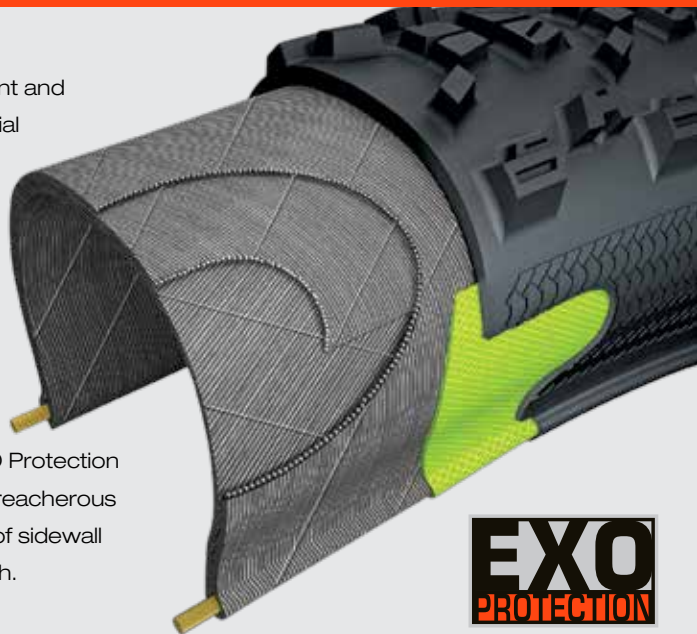
**KEVLAR® COMPOSITE**

Available in select tires, this Maxxis-exclusive fabric provides greater puncture protection than both standard Kevlar® and Vectran®. The addition of this lightweight and supple material ensures that ride quality and performance remain unsurpassed.



**EXO**

An extremely cut-resistant and abrasion-resistant material added to the sidewalls of select mountain tires. This densely woven fabric is also lightweight and highly flexible, ensuring that the performance of the tire remains unaffected. Choose EXO Protection for exceptionally rocky, treacherous trails where the chance of sidewall cuts and abrasions is high.



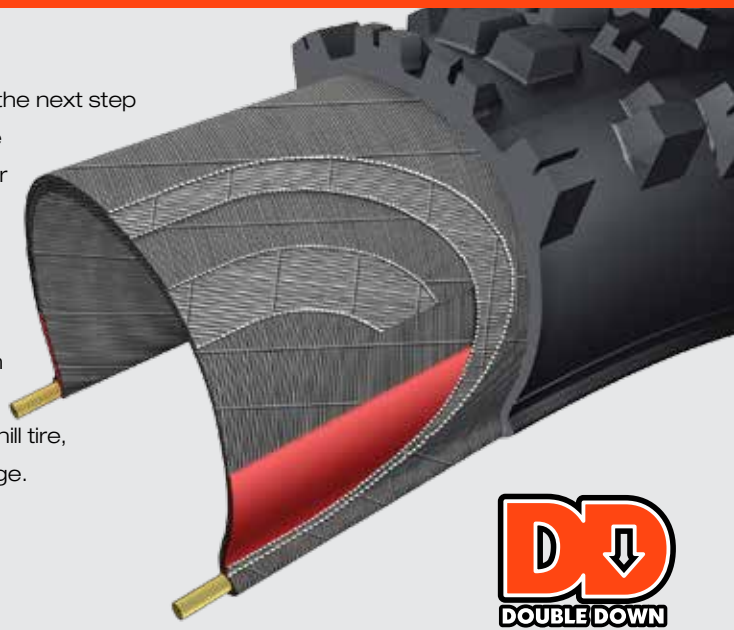
**BUTYL INSERT**

An extra piece of butyl rubber that extends from the bead of a downhill tire up into the sidewall. The butyl insert helps prevent pinch flats, protects the rim from hard hits and adds sidewall stability.



**DOUBLEDOWN**

DoubleDown (DD) is the next step in the evolution of the dual-ply tire casing for enduro racing. Two 120 TPI casing layers reinforced with a butyl insert provide the enduro racer with the support and protection of a downhill tire, but in a lighter package.



**NAME:** ERIN HUCK  
**TEAM:** CANNONDALE-3ROX RACING  
**HOMETOWN:** BOULDER, COLORADO  
**SPECIALTY:** CROSS COUNTRY, CLIMBING  
**ESPECIALLY TECHNICAL CLIMBING**  
**SEASON HIGHLIGHT:** 11TH AT WORLD CHAMPIONSHIPS, 2X NATIONAL CHAMPION IN XC AND SHORT TRACK  
**CAREER HIGHLIGHT:** 2X NATIONAL CHAMPION

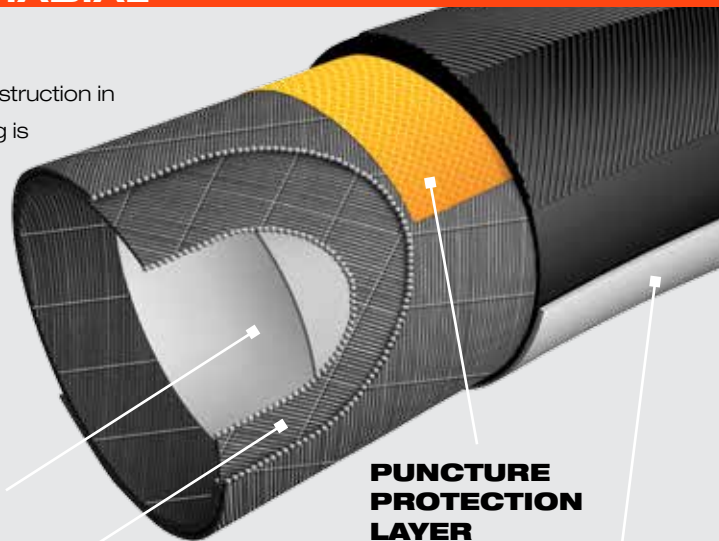


*I've raced a wide variety of tires, and even before being on a Maxxis-supported team, I always preferred Maxxis tires because of their durability, side wall protection, and tread options, on top of them being some of the lightest tires out there. Having raced on Maxxis tires for a few years now, I've been able to identify my favorite tires for various terrain and course conditions as well as being confident in which tire pressures to run-an often under-appreciated variable for tire performance. Lately, I've been racing the Aspen 2.0 at 20/21psi and I find this tire sheds moisture well, is fast-rolling, but also offers good cornering grip.*



## TUBULAR

A traditional tire construction in which the tire casing is sewn or wrapped around an inner tube. These types of tires must be glued or taped onto tubular-specific rims.



INNER TUBE

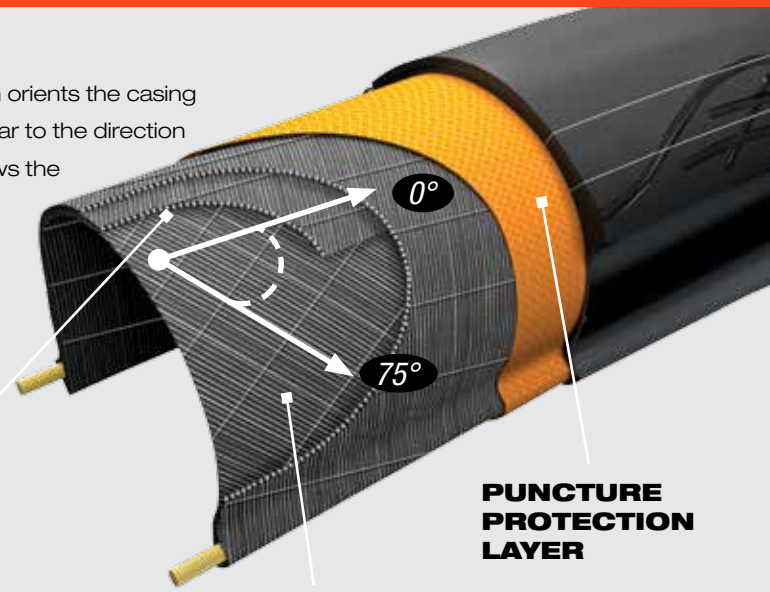
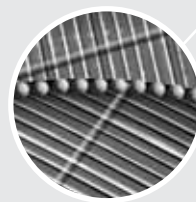
CASING

PUNCTURE PROTECTION LAYER

CLOTH-BASED TAPE

## RADIAL ROAD

A radial construction orients the casing threads perpendicular to the direction of rotation. This allows the sidewall to easily bend and flex, resulting in a very compliant and supple ride.



PUNCTURE PROTECTION LAYER

RADIAL CONSTRUCTION



RIDERS: DARREN BERRE CLOTH, RICKY BRABEC PHOTO: PARIS GORE



RIDER: BRANDON SEMENUK PHOTO: COLIN MEAGHER



**NAME: BRANDON SEMENUK**  
**TEAM: REVEL CO.**  
**HOMETOWN: WHISTLER BC**  
**SPECIALTY: SLOPESTYLE/FREERIDE**  
**SEASON HIGHLIGHT: 1ST PLACE**  
**CRANKWORX ROTORUA SLOPESTYLE,**  
**1ST PLACE RED BULL RAMPAGE**  
**CAREER HIGHLIGHT: 4X CRANKWORX**  
**JOYRIDE WINS / 2X SIGNATURE FILMS**



*My tires are an extension of my hands and feet. Maxxis tires give me grip I can trust in when touching down.*



**TUBELESS READY DOWNHILL**

Tubeless downhill set-ups are a great way to shave some weight and spend more time in the bike park or shuttling hot laps on your local runs. Sealant compatible rubber is used with the familiar Maxxis dual-ply 60 TPI downhill construction and butyl insert for support and rim protection in order to offer the benefits of increased grip and reliability. A tubeless ready bead securely locks to the rim and the foldable bead provides additional weight savings.



DH CASINGS

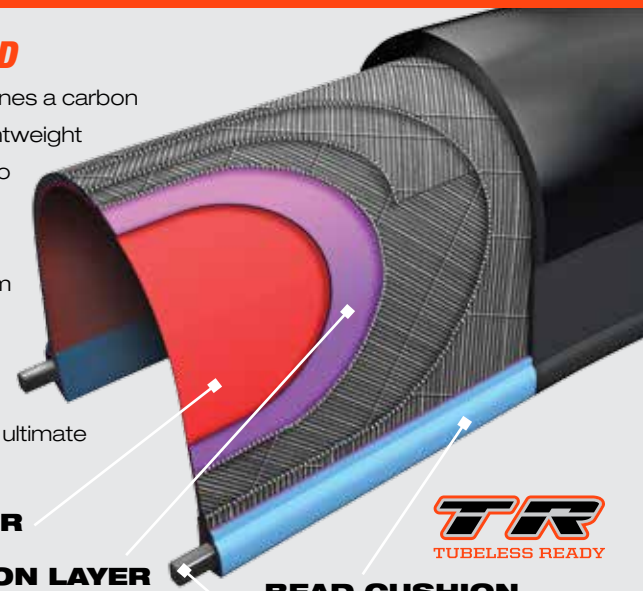


**BUTYL INNER LINER**

**TUBELESS READY BEAD**

**TUBELESS READY ROAD**

Tubeless technology that combines a carbon fiber bead for strength and a lightweight butyl inner liner for air retention to eliminate the need for an inner tube. The puncture protection layer helps prevent damage from road debris. Liquid sealant may be used to prevent any loss of air pressure. Choose Maxxis tubeless ready road tires for the ultimate road experience.



**BUTYL INNER LINER**

**PUNCTURE PROTECTION LAYER**

**CARBON FIBER BEAD**

**BEAD CUSHION**



## RUBBER COMPOUNDS

The most important part of a tire is arguably the rubber compound within the tread. By changing the amounts of various components of the rubber formula, engineers can make two identical looking tires perform completely differently. A list of Maxxis compounds and their distinct characteristics is below.

One compound throughout the tread optimized for longevity and performance.

### SINGLE COMPOUND

Two compounds used within the tread of select tires to offer lower rolling resistance and increased cornering grip.

### DUAL COMPOUND

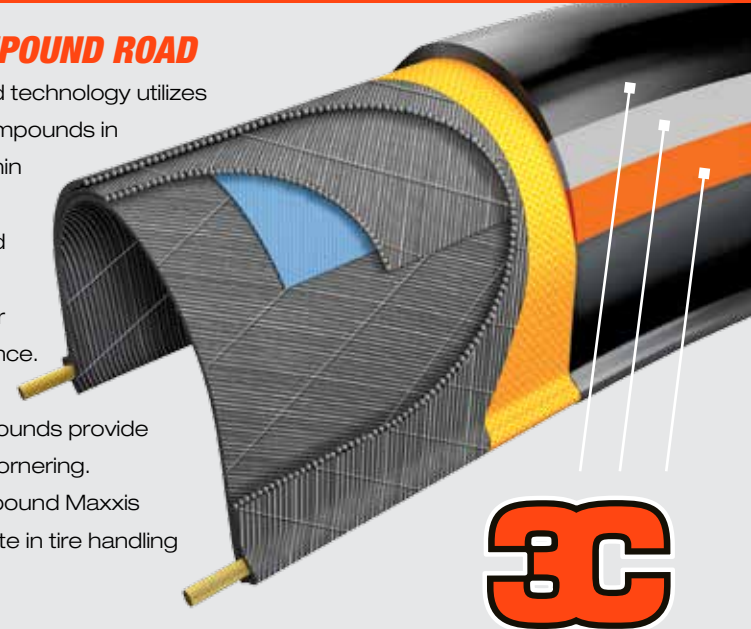
A special low-rebound, high-traction compound used in select mountain tires.

### ST SUPERTACKY



## 3C TRIPLE COMPOUND ROAD

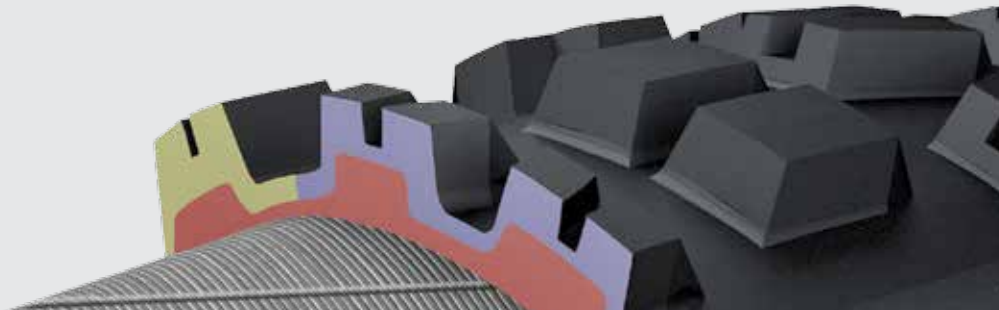
Triple Compound road technology utilizes three distinct silica compounds in different locations within the tread of the tire. The center compound is optimized for exceptional treadwear and low rolling resistance. The progressively softer shoulder compounds provide increased grip while cornering. Choose a Triple Compound Maxxis road tire for the ultimate in tire handling in all conditions.





## 3C TRIPLE COMPOUND MOUNTAIN

Maxxis 3C Triple Compound mountain technology uses a harder, longer lasting base layer and two progressively softer top layers in order to optimize traction and stability. Maxxis offers three different configurations of our 3C Triple Compound mountain technology: Maxx Speed, Maxx Terra and Maxx Grip.



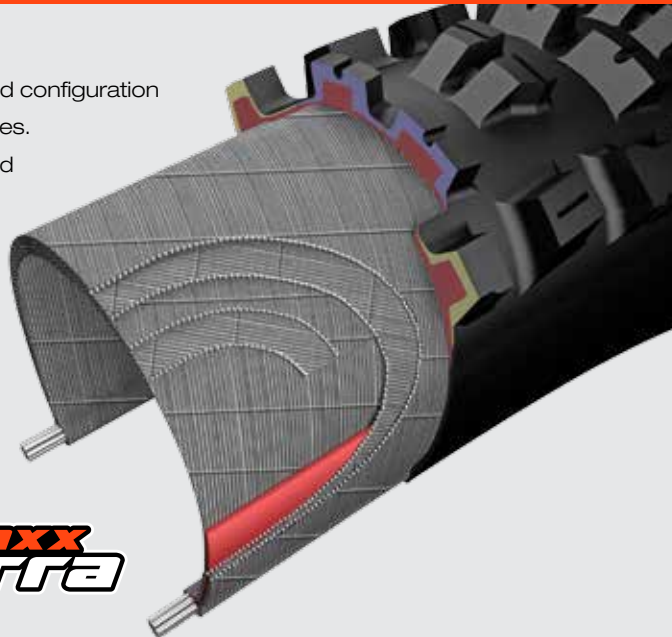
## 3C MAXX SPEED

Used primarily in cross country and enduro tires, the two compounds in the outer layer are specially formulated to reduce rolling resistance and optimize treadwear and traction.



## 3C MAXX TERRA

An intermediate compound configuration used in select mountain tires. 3C Maxx Terra is softer and offers more traction than 3C Maxx Speed, yet provides better treadwear and less rolling resistance than Maxx Grip.



## 3C MAXX GRIP

3C Maxx Grip uses the softest rubber compounds to offer the ultimate in grip and slow rebound properties for unparalleled traction in downhill applications.





**ROAD / HYBRID**

MODEL	RACING	SPORT	TRAINING	URBAN COMMUTE	PUNCTURE PROTECTION
CAMPIONE	██████████				██████████
CAMPIONE TT	██████████				██████████
RADIALE-TL	██████████				██████████
VELOCITA	██████████				██████████
CORMET	██████████				██████████
COLUMBIERE	██████████				██████████
DOLOMITES	██████████				██████████
ROULER	██████████				██████████
RELIX	██████████				██████████
RELIX TT	██████████				██████████
PADRONE TR	██████████				██████████
COURCHEVEL	██████████	██████████			██████████
PADRONE	██████████	██████████			██████████
FORZA	██████████	██████████			██████████
DETONATOR	██████████	██████████			██████████
RE-FUSE	██████████	██████████	██████████		██████████
DETONATOR HYBRID	██████████	██████████	██████████		██████████
OVERDRIVE			██████████	██████████	██████████
OVERDRIVE ELITE			██████████	██████████	██████████
OVERDRIVE II			██████████	██████████	██████████
ROAMER			██████████	██████████	██████████
GYPSY			██████████	██████████	██████████
RE-VOLT			██████████	██████████	██████████

**BMX / TRIALS**

MODEL	DIRT	STREET	PARK	FLAT	VERT
MAXXDADDY	██████████				
CREEPLY CRAWLER	██████████	██████████			
HOLY ROLLER	██████████	██████████	██████████		
DTH	██████████	██████████	██████████		
TORCH	██████████	██████████	██████████		
HOOKWORM	██████████	██████████	██████████	██████████	
GRIFTER	██████████	██████████	██████████	██████████	

**URBAN**

MODEL	DIRT	STREET	PARK	FLAT	VERT
HOLY ROLLER	██████████	██████████	██████████		
DTH	██████████	██████████	██████████		
TORCH	██████████	██████████	██████████		
HOOKWORM	██████████	██████████	██████████	██████████	
GRIFTER	██████████	██████████	██████████	██████████	

**CYCLOCROSS**

MODEL	HARDBACK	LOOSE OVER HARD	MEDIUM	LOOSE	WET	MUD	CORNERING CONTROL	ROLLING EFFICIENCY
SPEED TERRANE	██████████	██████████					██████████	██████████
RAZE	██████████	██████████	██████████				██████████	██████████
ALL TERRANE		██████████	██████████				██████████	██████████
MUD WRESTLER		██████████	██████████	██████████	██████████	██████████	██████████	██████████

**GRAVEL / ADVENTURE**

MODEL	HARDBACK	LOOSE OVER HARD	MEDIUM	LOOSE	WET	MUD	CORNERING CONTROL	ROLLING EFFICIENCY
RE-FUSE	██████████						██████████	██████████
RAMBLER	██████████	██████████					██████████	██████████
RAVAGER		██████████	██████████				██████████	██████████









## CAMPIONE

PART #	SIZE	ETRTO	TPI	BEAD	WEIGHT	COMPOUND	MAX PSI	TECH
TB88104000	28"x23mm	—	120	—	265 g	3C	170	3C/K2/Silkworm
TB88205000	28"x25mm	—	120	—	285 g	3C	170	3C/K2/Silkworm

## CAMPIONE TT

PART #	SIZE	ETRTO	TPI	BEAD	WEIGHT	COMPOUND	MAX PSI	TECH
TB88104100	28"x23mm	—	120	—	245 g	3C	170	3C
TB88205100	28"x25mm	—	120	—	260 g	3C	170	3C

RACING SPORT TRAINING URBAN COMMUTE PUNCTURE PROTECTION

- **M6R**
- **TUBULAR RACING TIRE**
- **120-TPI CASING**
- **3C TRIPLE COMPOUND TECHNOLOGY**
- **K2 (KEVLAR COMPOSITE) PUNCTURE PROTECTION (UNDER TREAD)**
- **SILKWORM PUNCTURE PROTECTION (UNDER TREAD)**

The Campione is the race-specific tubular tire from Maxxis. The supple, high-TPI casing provides the ultimate in ride quality and feel, while the three compounds used in the tread lower rolling resistance and increase cornering grip. And because its Kevlar® Composite (K2) breaker outperforms both Vectran® and regular Kevlar® breakers, the Campione will get you to the finish line. The Campione is the obvious choice for the traditional road racer.



NEW

## RELIX

PART #	SIZE	ETRTO	TPI	BEAD	WEIGHT	COMPOUND	MAX PSI	TECH
TB88106000	28"x23mm	—	120	—	280 g	Dual	170	K2/Silkworm
TB88207000	28"x25mm	—	120	—	305 g	Dual	170	K2/Silkworm

RACING SPORT TRAINING URBAN COMMUTE PUNCTURE PROTECTION

- **M215**
- **TUBULAR RACING TIRE**
- **120-TPI CASING**
- **DUAL-COMPOUND RUBBER**
- **SILKWORM PUNCTURE PROTECTION (UNDER TREAD)**

For the most discerning racers, the race-proven Relix tread pattern is now available in a tubular construction. The most striking feature is the cobblestone texture under the tread, designed using advanced R&D techniques to roll the fastest in real-world conditions. Roads are never perfectly smooth, so this tread complements the pavement's impurities for the lowest rolling resistance on race day.



## FORZA

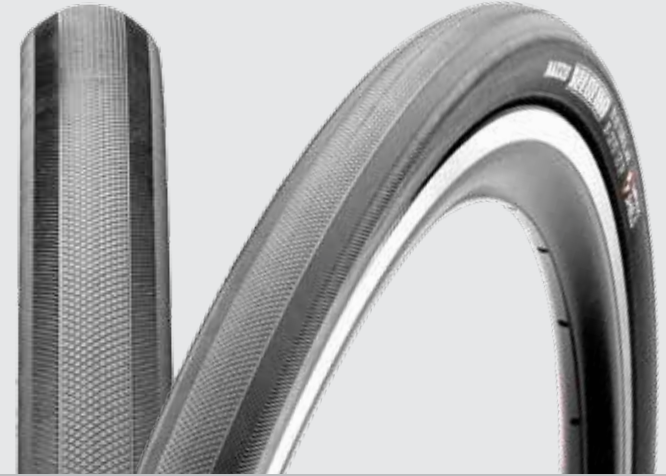
PART #	SIZE	ETRTO	TPI	BEAD	WEIGHT	COMPOUND	MAX PSI	TECH
TB88102000	28"x23mm	—	60	—	285 g	Dual	170	Silkworm
TB88200000	28"x25mm	—	60	—	305 g	Dual	170	Silkworm

RACING      SPORT      TRAINING      URBAN COMMUTE      PUNCTURE PROTECTION



- **M8S**
- **TUBULAR SPORT TRAINING TIRE**
- **60-TPI CASING**
- **DUAL-COMPOUND RUBBER**
- **SILKWORM PUNCTURE PROTECTION (UNDER TREAD)**

The Forza is the tubular tire for sport training. The casing provides the optimal mixture of performance and durability, and the dual-compound tread ensures that the tire will last for many miles, yet still grip hard when needed most. The proprietary Silkworm breaker makes the Forza extremely resistant to cuts and punctures. Choose the Forza if you prefer the feel of tubulars every day.



## VELOCITA

PART #	SIZE	ETRTO	TPI	BEAD	WEIGHT	COMPOUND	MAX PSI	TECH
TB88150000	28"x28mm	—	120	—	405 g	Dual	130	MaxxShield

RACING      SPORT      TRAINING      URBAN COMMUTE      PUNCTURE PROTECTION



- **M9S**
- **ENDURANCE RACING TIRE**
- **MAXXSHIELD PUNCTURE PROTECTION**
- **DUAL-COMPOUND**

Born from the cobbles of Roubaix, the Velocita is a high-volume racing tubular tire. A center diamond tread turns into a file tread on the edges of the Velocita for increased cornering control, while the MaxxShield provides puncture protection under the sidewalls and tread.





## PADRONE-TR

PART #	SIZE	ETRTO	TPI	BEAD	WEIGHT	COMPOUND	MAX PSI	TECH
TB81815100	700x23C	23-622	170	Carbon Fiber	250 g	Dual	125	SilkShield/TR/ONE70
TB86459100	700x25C	25-622	170	Carbon Fiber	260 g	Dual	125	SilkShield/TR/ONE70
TB81815200	700x28C	28-622	170	Carbon Fiber	300 g	Dual	115	SilkShield/TR/ONE70

RACING      SPORT      TRAINING      URBAN COMMUTE      PUNCTURE PROTECTION

- **M217RU**
- **TUBELESS READY ROAD RACING TIRE**
- **CARBON FIBER BEAD**
- **DUAL-COMPOUND**
- **ONE70 TECHNOLOGY**

Building on the legacy of our original Padrone road tubeless tire is the Padrone-TR (Tubeless Ready). Using Maxxis' TR technology from our mountain bike tires along with a ONE70 (170 TPI) casing and a carbon fiber bead, we were able to create a race-ready tubeless road tire weighing just 250g for a 23c size! The Padrone-TR also features our SilkShield technology, protecting the tire from bead to bead.



## ROULER-TR



PART #	SIZE	ETRTO	TPI	BEAD	WEIGHT	COMPOUND	MAX PSI	TECH
TB88688000	700x28C	28-622	60	Carbon Fiber	360 g	Dual	115	SilkShield/TR

RACING      SPORT      TRAINING      URBAN COMMUTE      PUNCTURE PROTECTION

- **M3DRU**
- **PRO ROAD COMPETITION TIRE**
- **SILKSHIELD**
- **TUBELESS READY (TR)**

A lightweight, supple and race-ready tire, the Rouler-TR features a SilkShield bead-to-bead breaker for puncture protection, a dual-compound tread pattern for improved cornering performance, and fully Tubeless-Ready construction so you can enjoy the speed and comfort of leaving the tubes at home.



## RELIX

PART #	SIZE	ETRTO	TPI	BEAD	WEIGHT	COMPOUND	MAX PSI	COLOR	TECH
TB86238100	700x23C	23-622	170	Foldable	205 g	Dual	145	Black	SilkShield/ONE70
TB86372000	700x25C	25-622	170	Foldable	215 g	Dual	145	Black	SilkShield/ONE70

## RELIX TT

PART #	SIZE	ETRTO	TPI	BEAD	WEIGHT	COMPOUND	MAX PSI	COLOR	TECH
TB86238200	700x23C	23-622	170	Foldable	160 g	Single	145	Black/Grey	ONE70

RACING      SPORT      TRAINING      URBAN COMMUTE      PUNCTURE PROTECTION

- **M215**
- **ONE70 TECHNOLOGY**
- **SILKSHIELD PUNCTURE PROTECTION**

The Relix is the latest in a long line of race-ready road clincher tires from Maxxis. The Relix uses our lightest and most supple 170 TPI casing (ONE70) along with SilkShield puncture protection, which protects both the sidewalls and the underside of the tread.



## DOLOMITES

PART #	SIZE	ETRTO	TPI	BEAD	WEIGHT	COMPOUND	MAX PSI	TECH
TB81808000	700x23C	23-622	120	Foldable	185 g	Dual	130	Silkworm

RACING      SPORT      TRAINING      URBAN COMMUTE      PUNCTURE PROTECTION

- **M210**
- **SILKWORM PUNCTURE PROTECTION**
- **PRO ROAD COMPETITION TIRE**

Named after the rugged mountain range in Italy, the Dolomites was designed as a do-it-all competition road tire. With a lightweight 120 TPI casing and dual-compound rubber, the Dolomites is at home tackling big climbs and the descents afterwards. With our under-tread Silkworm puncture protection, the Dolomites can hold its own on rough roads.





## RE-FUSE

PART #	SIZE	ETRTO	TPI	BEAD	WEIGHT	COMPOUND	MAX PSI	TECH
TB86336000	700x23C	23-622	60	Foldable	295 g	Single	120	MaxxShield
TB86359000	700x25C	25-622	60	Foldable	300 g	Single	120	MaxxShield
TB88505000	700x28C	28-622	60	Foldable	320 g	Single	120	MaxxShield

RACING	SPORT	TRAINING	URBAN COMMUTE	PUNCTURE PROTECTION

- **M200**
- **DIAMOND-KNURLED SLICK DESIGN**
- **MAXXSHIELD PUNCTURE PROTECTION**

Our most popular training tire, providing excellent training and commuting dependability. The Re-Fuse will rack up plenty of road miles in all riding conditions.





RIDER: TRAVIS LIVERMON PHOTO: ETHAN GLADING





## RAZE



## SPEED TERRANE

PART #	SIZE	ETRTO	TPI	BEAD	WEIGHT	COMPOUND	MAX PSI	TECH
TB88985200	700x33C	33-622	60	Foldable	355 g	Single	75	—
<b>NEW</b> TB88170000	28"x33mm	—	120	—	430 g	Single	65	Silkworm

HARDBACK	LOOSE/HARD	MEDIUM	LOOSE	WET	MUD	CORNERING CONTROL	ROLLING EFFICIENCY
[Progress bar]		[Progress bar]	[Progress bar]	[Progress bar]	[Progress bar]	[Progress bar]	[Progress bar]

- **M206P**
- **VERSATILE CYCLOCROSS TREAD DESIGN**
- **TUBULAR CONSTRUCTION AVAILABLE**

Accept no limitations. The diverse terrain of a cyclocross race requires a unique solution: the Raze. A fast-rolling center ridge with widely spaced side lugs sheds mud. The Raze's slightly softer compound remains pliable in cold conditions, and the improved casing maintains integrity at low pressures.

PART #	SIZE	ETRTO	TPI	BEAD	WEIGHT	COMPOUND	MAX PSI	TECH
TB88998100	700x33C	33-622	60	Carbon Fiber	415	Dual	75	EXO/TR
TB88998000	700x33C	33-622	120	Carbon Fiber	395	Dual	75	EXO/TR

HARDBACK	LOOSE/HARD	MEDIUM	LOOSE	WET	MUD	CORNERING CONTROL	ROLLING EFFICIENCY
[Progress bar]		[Progress bar]	[Progress bar]	[Progress bar]	[Progress bar]	[Progress bar]	[Progress bar]

- **M221RU**
- **DRY CONDITIONS TIRE**
- **SEMI-SLICK DESIGN WITH AGGRESSIVE CORNERING KNOBS**
- **FILE TREAD DESIGN OPTIMIZED FOR GRASS AND HARDBACK**
- **EXO PROTECTION**
- **TUBELESS READY (TR)**

The Speed Terrane features a familiar file tread pattern optimized for early season cyclocross races. Micro-diamond knobs adorn the tread surface to offer blazing speed on hardpacked surfaces, while stacked paddle knobs down the middle offer unrivaled climbing and braking traction so you can attack whenever you like. When the course gets twisty, the siped and offset cornering knobs will dig in to give you the support to brake later and push your tires as hard as your legs. Worry less about your tires and more about the hole shot!



**EXO**  
PROTECTION

**TR**  
TUBELESS READY

**NEW**

# ALL TERRANE

PART #	SIZE	ETRTO	TPI	BEAD	WEIGHT	COMPOUND	MAX PSI	TECH
TB88994000	700x33C	33-622	60	Carbon Fiber	395 g	Dual	75	EXO/TR
TB88994100	700x33C	33-622	120	Carbon Fiber	375 g	Dual	75	EXO/TR

HARDPACK	LOOSE/HARD	MEDIUM	LOOSE	WET	MUD	CORNERING CONTROL	ROLLING EFFICIENCY
----------	------------	--------	-------	-----	-----	-------------------	--------------------



- ◆ **M219RU**
- ◆ **ALL CONDITIONS TIRE**
- ◆ **RAMPED KNOBS FOR SPEED**
- ◆ **OPEN TREAD TO CLEAR MUD**
- ◆ **EXO PROTECTION**
- ◆ **TUBELESS READY (TR)**

The All Terrane is a cyclocross tire that maintains speed and composure over a wide range of race conditions. The knobs are tall enough to bite and dig in when the course gets loose but ramped for speed on harder surfaces. The open tread pattern is quick to sling mud away as soon as you pick up speed, and the Tubeless Ready construction lets you drop the tire pressure to increase the footprint on soft tracks. If you have to choose one tire, let the All Terrane lead you to the top step on the podium.



RIDER: CRYSTAL ANTHONY PHOTO: ETHAN GLADING





FIDER: DANNY SUMMERHILL



**NAME: DANNY SUMMERHILL // TEAM: UNITEDHEALTHCARE PRO CYCLING TEAM**

**HOMETOWN: DENVER, COLORADO**

**SPECIALTY: HARD TEAM WORKER (DOMESTIQUE)**

**SEASON HIGHLIGHT: BEING PART OF THE LEADOUT TRAIN THAT DELIVERS JOHN MURPHY TO THE FINISH LINE IN FIRST PLACE IN AUSTRALIA AT THE SUNTOUR, OR IN AMERICA AT THE TOUR OF JOE MARTIN, A WIN IS A WIN AND THEY ALL FEEL JUST THE SAME**

**CAREER HIGHLIGHT: 2015 READING CLASSIC, 2015 BOULDER CUP OF CYCLOCROSS**



*So even though I laid it down two times in one race, I could not have won my first professional road race without being on my Maxxis tires. Although two crashes in one race sounds like quite a lot, it was really just the norm on this incredible day. For over 100 miles, we raced through the rain over the country roads of Pennsylvania and finished with fewer than half of the original 200 starters. Had it not been for my Maxxis tubular tires, I probably would have ended up like so many other racers that day, crashed out over some soggy embankment or grass ditch. But with my luck, I mash across the finish line first in what can only be described as a torrential downpour and a race to go down in the record books as simply epic.*







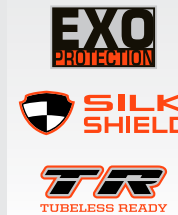
## RE-FUSE

PART #	SIZE	ETRTO	TPI	BEAD	WEIGHT	COMPOUND	MAX PSI	TECH
TB88861100	700x32C	32-622	60	Foldable	405 g	Single	100	MaxxShield
TB88896000	700x32C	32-622	60	Carbon Fiber	390 g	Dual	75	MaxxShield/TR
TB95987000	700x40C	40-622	60	Carbon Fiber	520 g	Dual	75	MaxxShield/TR
TB90924000	27.5x2.00	50-584	60	Foldable	610 g	Dual	60	MaxxShield/TR

HARDPACK	LOOSE/HARD	MEDIUM	LOOSE	WET	MUD	CORNERING CONTROL	ROLLING EFFICIENCY
█	█	█	█	█	█	█	█

- **M200RU/M200P**
- **DIAMOND-KNURLED SLICK DESIGN**
- **TUBELESS READY (TR)**
- **MAXXSHIELD BEAD-TO-BEAD PROTECTION**
- **DUAL-COMPOUND RUBBER**

Our most popular training tire, modernized with tubeless technology and higher volumes for even more reliability and comfort. The familiar diamond tread pattern keeps things rolling smoothly even as the pavement crumbles into gravel and hardpack dirt.



## RAMBLER

PART #	SIZE	ETRTO	TPI	BEAD	WEIGHT	COMPOUND	MAX PSI	TECH
TB97613100	700x38C	38-622	60	Carbon Fiber	435 g	Dual	75	SilkShield/TR <b>NEW</b>
TB97613200	700x38C	38-622	120	Carbon Fiber	400 g	Dual	75	EXO/TR <b>NEW</b>
TB96268100	700x40C	40-622	60	Carbon Fiber	420 g	Dual	75	SilkShield/TR
TB96268000	700x40C	40-622	120	Carbon Fiber	375 g	Dual	75	EXO/TR

HARDPACK	LOOSE/HARD	MEDIUM	LOOSE	WET	MUD	CORNERING CONTROL	ROLLING EFFICIENCY
█	█	█	█	█	█	█	█

- **M2018RU**
- **GRAVEL-SPECIFIC TREAD PATTERN**
- **DUAL-COMPOUND FOR LONGEVITY**
- **TUBELESS READY (TR)**
- **EXO PROTECTION AVAILABLE**

Maxxis' first gravel-specific tire, the Rambler is designed with the volume you need for comfort and the tread you need for speed and control. Tightly packed center knobs are ramped for rolling efficiency on hardpack roads, and spaced-out side knobs provide predictable cornering in varied terrain.





**EXO**  
PROTECTION

**SILK**  
SHIELD

**TR**  
TUBELESS READY

**NEW**

# RAVAGER

PART #	SIZE	ETRTO	TPI	BEAD	WEIGHT	COMPOUND	MAX PSI	TECH
TB96015000	700x40C	40-622	60	Carbon Fiber	530 g	Dual	75	SilkShield/TR
TB96015100	700x40C	40-622	120	Carbon Fiber	485 g	Dual	75	EXO/TR

HARDPACK	LOOSE/HARD	MEDIUM	LOOSE	WET	MUD	CORNERING CONTROL	ROLLING EFFICIENCY
█	█	█	█	█	█	█	█

- ◆ **M2020RU**
- ◆ **AGGRESSIVE GRAVEL TIRE**
- ◆ **OPTIMAL FOR OFF-ROAD TOURING AND ADVENTURES**
- ◆ **EXO PROTECTION AVAILABLE**
- ◆ **SILKSHIELD AVAILABLE**
- ◆ **TUBELESS READY (TR)**

The Ravager is a gravel tire for the riders out there willing to brave aggressive terrain with only their drop bars and a tiny amount of rubber beneath them. While other tires are designed to let you ride beyond the end of the road, the Ravager opens up new line choices, camping spots, and epic adventures where no road ever existed. Raised square-edged center knobs provide climbing and braking traction on moon dust covered trails, and oversized cornering knobs keep you and your gear out of the dirt to conquer another turn.











## ROAMER

PART #	SIZE	ETRTO	TPI	BEAD	WEIGHT	COMPOUND	MAX PSI	TECH
TB23110000	20x1.65	42-406	60	Wire	460 g	Dual	100	Kevlar® Inside
TB60865000	26x1.65	42-559	60	Wire	575 g	Dual	80	Kevlar® Inside
TB96354000	700x42C	44-622	60	Wire	685 g	Dual	75	Kevlar® Inside
TB96356000	700x42C	44-622	60	Wire	690 g	Dual	75	SilkShield/eBike

RACING	SPORT	TRAINING	URBAN COMMUTE	PUNCTURE PROTECTION

- **M2016P/M2016EP**
- **GROOVED SLICK DESIGN**
- **KEVLAR INSIDE AND SILK SHIELD OPTIONS AVAILABLE**
- **CONFORMS TO THE EUROPEAN ECE-R75 CERTIFICATION FOR E-BIKES**

The Roamer is ready for anything from your daily commute or a trip to the store to a long weekend of touring the back roads. The slick center rolls fast, and the leaf-like tread on the shoulders provides extra cornering traction. To ensure lots of trouble-free miles, the Roamer uses a high-mileage rubber compound along with a 60 TPI casing with various puncture protection options.



## GYPSY

PART #	SIZE	ETRTO	TPI	BEAD	WEIGHT	COMPOUND	MAX PSI	TECH
TB22781000	20x1.50	38-406	60	Wire	400 g	Dual	100	Silkworm
TB58915000	26x1.50	38-559	60	Wire	495 g	Dual	80	Silkworm
TB69917000	26x2.10	53-559	60	Wire	790 g	Dual	65	SilkShield/eBike
TB95734000	700x38C	40-622	60	Wire	650 g	Dual	85	SilkShield
TB95735000	700x38C	40-622	60	Wire	650 g	Dual	85	SilkShield/eBike

RACING      SPORT      TRAINING      URBAN COMMUTE      PUNCTURE PROTECTION



- **M2015/M2015P/M2015EP**
- **GROOVED SLICK DESIGN**
- **SILKWORM AND SILKSHIELD OPTIONS**
- **CONFORMS TO THE EUROPEAN ECE-R75 CERTIFICATION FOR E-BIKES**

Unleash your inner wanderer with the Gypsy. To keep your adventure on course, the Gypsy uses a 60 TPI casing and our Silkworm breaker puncture protection beneath the tread. The Gypsy offers a durable yet comfortable ride with low rolling resistance and excellent traction.



## RE-VOLT

PART #	SIZE	ETRTO	TPI	BEAD	WEIGHT	COMPOUND	MAX PSI	TECH
TB96630000	700x47C	47-622	60	Wire	655 g	Dual	75	SilkShield/eBike

RACING      SPORT      TRAINING      URBAN COMMUTE      PUNCTURE PROTECTION



- **M2021EP**
- **EBIKE TREKKING TIRE**
- **GROOVED SLICK DESIGN FOR OPTIMAL BATTERY LIFE**
- **REINFORCED CONSTRUCTION FOR INCREASED CARGO CAPACITY**
- **SILKSHIELD BEAD-TO-BEAD PUNCTURE PROTECTION**
- **3MM TREAD THICKNESS FOR LONGEVITY AND PROTECTION**

The Re-Volt is the first Maxxis tire designed from the ground up for the growing e-Bike market. The center of the tread is smooth in order to maximize battery life, and the high-volume casing ensures a comfortable ride on your way to work or the other side of the world. The reinforced construction increases the tires' cargo capacity for all the groceries or adventure supplies you could ever need, and the shoulder tread features a dependable knurled pattern for debris filled corners. Join the e-Bike revolution and travel the world on the new Re-Volt.





RIDER: CHLOE WOODRUFF



**NAME:** CHLOE WOODRUFF // **TEAM:** STAN'S NOTUBES-PIVOT  
**HOMETOWN:** PRESCOTT, AZ  
**SPECIALTY:** XC  
**SEASON HIGHLIGHT:** GETTING NAMED TO TEAM USA  
**CAREER HIGHLIGHT:** 2015 U.S. NATIONAL CHAMPION IN XC AND SHORT TRACK



*In 2015, I won my second consecutive Whiskey Off-Road on board Maxxis IKON 2.20 EXO tires. Those tires feel like my secret weapon on a course that is incredibly unpredictable from day to day and where a little extra sidewall protection is needed. While I couldn't pull off a three-peat this year, I helped my teammate, Rose Grant, take the win on board what I consider the tires for the Whiskey Off-Road--IKON 2.20 EXO's.*





## RACE TT

PART #	SIZE	ETRTO	TPI	BEAD	WEIGHT	COMPOUND	MAX PSI	TECH
TB90919100	27.5x2.00	50-584	60	Foldable	585 g	Dual	60	TR
TB90919000	27.5x2.00	50-584	60	Foldable	625 g	Dual	60	EXO/TR
TB96822100	29x2.00	50-622	60	Foldable	620 g	Dual	60	TR
TB96822000	29x2.00	50-622	60	Foldable	665 g	Dual	60	EXO/TR



- **M339RU**
- **RAMPED AND SIPED SQUARE KNOB DESIGN**
- **LOW ROLLING RESISTANCE**
- **TUBELESS READY (TR)**

The Race TT has a familiar tread pattern refined for modern XC bikes and race courses. Tightly packed and ramped square knobs allow this tire to roll freely, while updated siping increases the Race TT's braking and cornering limits. The legend lives on with the Race TT.



## CROSSMARK II

PART #	SIZE	ETRTO	TPI	BEAD	WEIGHT	COMPOUND	MAX PSI	TECH
TB69854000	26x2.10	53-559	60	Foldable	595 g	Dual	60	TR
TB69854100	26x2.10	53-559	60	Foldable	635 g	Dual	60	EXO/TR
TB72642000	26x2.25	57-559	60	Foldable	660 g	Dual	60	TR
TB72642100	26x2.25	57-559	60	Foldable	705 g	Dual	60	EXO/TR
TB90955000	27.5x2.10	53-584	60	Foldable	620 g	Dual	60	TR
TB90955100	27.5x2.10	53-584	60	Foldable	665 g	Dual	60	EXO/TR
TB91032000	27.5x2.25	57-584	60	Foldable	685 g	Dual	60	TR
TB91032100	27.5x2.25	57-584	60	Foldable	735 g	Dual	60	EXO/TR
TB96752000	29x2.10	53-622	60	Foldable	655 g	Dual	60	TR
TB96752100	29x2.10	53-622	60	Foldable	700 g	Dual	60	EXO/TR
TB96795000	29x2.25	57-622	60	Foldable	730 g	Dual	60	TR
TB96795100	29x2.25	57-622	60	Foldable	780 g	Dual	60	EXO/TR



- **M344RU**
- **TIGHTLY PACKED CENTER KNOBS FOR SPEED OVER HARDPACK**
- **OPEN-SIDE KNOB DESIGN FOR VERSATILE CORNERING**
- **DESIGNED FOR SPEED, REVISED FOR CONTROL**

The CrossMark II improves on the speed of its predecessor while improving grip in intermediate conditions. The legendary center ridge still flies on hardpack, and the updated tread pattern provides better braking and cornering over a wide range of trail conditions. A great choice if you want to go fast everywhere.





## IKON

	PART #	SIZE	ETRTO	TPI	BEAD	WEIGHT	COMPOUND	MAX PSI	TECH
	TB73499100	26x2.35	60-559	120	Foldable	680 g	3C Maxx Speed	60	3C/EXO/TR
<b>NEW</b>	TB85919600	27.5x2.20	56-584	60	Foldable	590 g	Dual	60	Skinwall/TR
	TB85919000	27.5x2.20	56-584	120	Foldable	600 g	3C Maxx Speed	60	3C/EXO/TR
<b>NEW</b>	TB85920800	27.5x2.20	61-584	60	Folding	685 g	Single	65	SilkShield/eBike
	TB85956000	27.5x2.35	60-584	120	Foldable	705 g	3C Maxx Speed	60	3C/EXO/TR
	TB96646100	29x2.00	50-622	120	Foldable	610 g	3C Maxx Speed	60	3C/EXO/TR
<b>NEW</b>	TB96740800	29x2.20	57-622	60	Foldable	625 g	Dual	60	Skinwall/TR
	TB96740100	29x2.20	57-622	120	Foldable	640 g	3C Maxx Speed	60	3C/EXO/TR
<b>NEW</b>	TB96740700	29x2.20	57-622	60	Foldable	685 g	3C Maxx Speed	60	Skinwall/3C/EXO/TR
	TB96731100	29x2.35	60-622	120	Foldable	745 g	3C Maxx Speed	60	3C/EXO/TR

SEE QUICK REFERENCE SECTION FOR ALL AVAILABLE MODELS

HARDPACK	LOOSE/HARD	MEDIUM	LOOSE	WET	MUD	CORNERING CONTROL	ROLLING EFFICIENCY
----------	------------	--------	-------	-----	-----	-------------------	--------------------

- **M319P/M319RU/M319EP**
- **HIGH-VOLUME, LIGHTWEIGHT RACE TIRE**
- **3C MAXX SPEED TRIPLE COMPOUND TECHNOLOGY AVAILABLE**
- **TUBELESS READY (TR) AVAILABLE**

The Ikon is for riders looking for a true lightweight race tire. Its high-volume casing and fast-rolling tread design provide exemplary performance in most riding conditions. As its name suggests, the Ikon stands above the competition.



**NEW**

## REKON

	PART #	SIZE	ETRTO	TPI	BEAD	WEIGHT	COMPOUND	MAX PSI	TECH
	TB91145300	27.5x2.60WT	66-584	60	Foldable	805 g	Dual	40	EXO/TR
	TB91145200	27.5x2.60WT	66-584	120	Foldable	730 g	3C Maxx Terra	40	3C/EXO/TR

HARDPACK	LOOSE/HARD	MEDIUM	LOOSE	WET	MUD	CORNERING CONTROL	ROLLING EFFICIENCY
----------	------------	--------	-------	-----	-----	-------------------	--------------------

- **M349RU**
- **DESIGNED FOR AGGRESSIVE XC TRAILS**
- **WIDE TRAIL (WT) CASING IS OPTIMIZED FOR 30-35MM INNER WIDTH RIMS**
- **3C MAXX TERRA AVAILABLE**
- **EXO PROTECTION AVAILABLE**
- **TUBELESS READY (TR)**

The Rekon is an aggressive trail tire inspired by the Ikon for intermediate and technical terrain. Wide knobs down the middle provide control under braking and L-shaped side knobs assure support when carving loose turns. With confidence like this you can race more and scout less with the Rekon.



## ARDENT RACE

	PART #	SIZE	ETRTO	TPI	BEAD	WEIGHT	COMPOUND	MAX PSI	TECH
	TB72374000	26x2.20	56-559	120	Foldable	605 g	3C Maxx Speed	60	3C/TR
	TB72374100	26x2.20	56-559	120	Foldable	650 g	3C Maxx Speed	60	3C/EXO/TR
	TB85918000	27.5x2.20	56-584	120	Foldable	635 g	3C Maxx Speed	60	3C/TR
	TB85918100	27.5x2.20	56-584	120	Foldable	680 g	3C Maxx Speed	60	3C/EXO/TR
<b>NEW</b>	TB85945000	27.5x2.35	60-584	120	Foldable	655 g	3C Maxx Speed	60	3C/TR
<b>NEW</b>	TB85945100	27.5x2.35	60-584	120	Foldable	705 g	3C Maxx Speed	60	3C/EXO/TR
	TB96742000	29x2.20	56-622	120	Foldable	670 g	3C Maxx Speed	60	3C/TR
	TB96742100	29x2.20	56-622	120	Foldable	720 g	3C Maxx Speed	60	3C/EXO/TR
<b>NEW</b>	TB96726000	29x2.35	60-622	120	Foldable	695 g	3C Maxx Speed	60	3C/TR
<b>NEW</b>	TB96726100	29x2.35	60-622	120	Foldable	745 g	3C Maxx Speed	60	3C/EXO/TR

HARDPACK	LOOSE/HARD	MEDIUM	LOOSE	WET	MUD	CORNERING CONTROL	ROLLING EFFICIENCY
█	█	█	█	█	█	█	█

- **M329RU**
- **HIGH-VOLUME CASING**
- **MEDIUM KNOB HEIGHT**
- **IDEAL FOR TECHNICAL XC RACE COURSES**
- **3C MAXX SPEED AVAILABLE**
- **TUBELESS READY (TR)**

The Ardent Race tire from Maxxis is ideally suited for technical XC race courses and endurance-length events. With its medium-height tread, the Ardent Race bridges the gap between the XC-oriented Ikon and the trail-oriented Ardent. The center knobs are ramped to reduce rolling resistance, and the side knobs are angled and stepped to provide great biting traction in corners. Choose the Ardent Race for your next demanding XC race or epic trail ride.



## ARDENT

	PART #	SIZE	ETRTO	TPI	BEAD	WEIGHT	COMPOUND	MAX PSI	TECH
	TB72556000	26x2.25	54/56-559	120	Foldable	835 g	Dual	60	LUST/UST
	TB72569100	26x2.25	56-559	60	Foldable	725 g	Dual	60	EXO/TR
	TB72917100	26x2.40	61-559	60	Foldable	745 g	Dual	60	EXO/TR
	TB85955100	27.5x2.25	56-584	60	Foldable	755 g	Dual	60	EXO/TR
	TB85971000	27.5x2.25	61-584	60	Foldable	785 g	Single	65	SilkShield/eBike <b>NEW</b>
	TB85967100	27.5x2.40	61-584	60	Foldable	775 g	Dual	60	EXO/TR
	TB96712300	29x2.25	54/56-622	60	Foldable	700 g	Single	65	Skinwall
	TB96712900	29x2.25	54/56-622	120	Foldable	900 g	Dual	60	LUST/UST
	TB96734100	29x2.25	56-622	60	Foldable	805 g	Dual	60	EXO/TR
	TB96789100	29x2.40	59/61-622	60	Foldable	750 g	Single	65	Skinwall
	TB96793100	29x2.40	61-622	60	Foldable	825 g	Dual	60	EXO/TR
	TB96793500	29x2.40	61-622	60	Foldable	850 g	Dual	60	Skinwall/EXO/TR <b>NEW</b>

SEE QUICK REFERENCE SECTION FOR ALL AVAILABLE MODELS

HARDPACK	LOOSE/HARD	MEDIUM	LOOSE	WET	MUD	CORNERING CONTROL	ROLLING EFFICIENCY
█	█	█	█	█	█	█	█

- **M315EP/M315P/M315U  
M315RU/M332RU**
- **HIGH-VOLUME CASING**
- **AGGRESSIVE TREAD DESIGN**
- **TUBELESS READY (TR)  
AVAILABLE**

An aggressive tread on a high-volume casing, designed with great traction in mind. The Ardent doesn't forget the racer, with large block-style side knobs offering numerous edges for high-speed cornering. The center tread, while ideal for braking and accelerating traction, also features ramped knobs to minimize rolling resistance. With a wide variety of size offerings, the Ardent captures every mountain rider's needs.





## FOREKASTER

PART #	SIZE	ETRTO	TPI	BEAD	WEIGHT	COMPOUND	MAX PSI	TECH
TB90978000	27.5x2.20	56-584	120	Foldable	605 g	Dual	60	TR
TB90978100	27.5x2.20	56-584	120	Foldable	655 g	Dual	60	EXO/TR
TB85959500	27.5x2.35	52-584	120	Foldable	690 g	Dual	60	EXO/TR
<b>NEW</b> TB91144300	27.5x2.60WT	66-584	60	Foldable	820 g	Dual	40	EXO/TR
<b>NEW</b> TB91144200	27.5x2.60WT	66-584	120	Foldable	785 g	3C Maxx Speed	40	3C/EXO/TR
TB96705500	29x2.20	56-622	120	Foldable	640 g	Dual	60	TR
TB96705600	29x2.20	56-622	120	Foldable	690 g	Dual	60	EXO/TR
TB96733100	29x2.35	52-622	120	Foldable	735 g	Dual	60	EXO/TR



- **M348RU**
- **AGGRESSIVE XC TIRE**
- **OPTIMIZED FOR LOOSE OR WET CONDITIONS**
- **WIDE TRAIL (WT) CASING IS OPTIMIZED FOR 30-35MM INNER WIDTH RIMS**
- **DUAL COMPOUND**
- **TUBELESS READY**

When the leaves start falling and the weather becomes more unpredictable, the Forekaster is the late-season tire of choice. Mid-height tread blocks are spaced evenly to allow penetration through loose trail conditions and open for better mud-clearing compared to other race tires. Wide cupped knobs down the middle provide excellent braking on the sloppiest singletrack. With the Forekaster on your bike, you can forget about the weather and hit the trails.



## TOMAHAWK

PART #	SIZE	ETRTO	TPI	BEAD	WEIGHT	COMPOUND	MAX PSI	TECH
TB73119300	26x2.30	58-559	60	Foldable	770 g	3C Maxx Terra	60	3C/EXO/TR
TB73119200	26x2.30	58-559	2x120	Foldable	960 g	3C Maxx Terra	60	3C/TR/DD
TB91000300	27.5x2.30	58-584	60	Foldable	800 g	3C Maxx Terra	60	3C/EXO/TR
TB91000200	27.5x2.30	58-584	2x120	Foldable	1005 g	3C Maxx Terra	60	3C/TR/DD
TB96880100	29x2.30	58-622	60	Foldable	850 g	3C Maxx Terra	60	3C/EXO/TR
TB96880000	29x2.30	58-622	2x120	Foldable	1070 g	3C Maxx Terra	60	3C/TR/DD



- **M338RU**
- **FAST-ROLLING CENTER**
- **AGGRESSIVE SIDE LUGS**
- **DOUBLEDOWN (DD) CASING AVAILABLE**
- **EXO PROTECTION AVAILABLE**
- **TUBELESS READY (TR)**

The Tomahawk is an all-mountain tire that excels in all conditions. The low-profile center lets the Tomahawk roll fast on hardpack, while the open knob spacing allows the tread to clear out mud if the trail gets wet. The large side knobs, matched with the square profile, allow for confident cornering in all terrains. If you're looking for a tire that can do it all without compromising, the Tomahawk is the tire for you.



## GRIFFIN

PART #	SIZE	ETRTO	TPI	BEAD	WEIGHT	COMPOUND	MAX PSI	TECH
TB73432100	26x2.30	58-559	60	Foldable	735 g	3C Maxx Terra	60	3C/EXO/TR
TB73432000	26x2.30	58-559	2x120	Foldable	925 g	3C Maxx Terra	60	3C/TR/DD
TB91008100	27.5x2.30	58-584	60	Foldable	765 g	3C Maxx Terra	60	3C/EXO/TR
TB91008000	27.5x2.30	58-584	2x120	Foldable	965 g	3C Maxx Terra	60	3C/TR/DD
TB96881100	29x2.30	58-622	60	Foldable	810 g	3C Maxx Terra	60	3C/EXO/TR
TB96881000	29x2.30	58-622	2x120	Foldable	1030 g	3C Maxx Terra	60	3C/TR/DD



- ◆ **M337RU**
- ◆ **FAST ROLLING DESIGN**
- ◆ **GREAT BRAKING CHARACTERISTICS**
- ◆ **EXO PROTECTION AVAILABLE**
- ◆ **DOUBLEDOWN (DD) AVAILABLE**
- ◆ **TUBELESS READY (TR)**

Originally designed as a fast-rolling bike park tire, the Griffin is now available in lightweight EXO and DoubleDown constructions for trail and enduro bikes. Tightly spaced and heavily ramped knobs allow this tire to quickly get up to speed, while standard knob height allows the tire to dig through powdery climbs and provide ample braking if you come in hot on a blind switchback. With this much speed on tap, you have no choice but to take flight with the Griffin.



## AGGRESSOR

PART #	SIZE	ETRTO	TPI	BEAD	WEIGHT	COMPOUND	MAX PSI	TECH
TB73310000	26x2.30	58-559	60	Foldable	815 g	Dual	60	EXO/TR
TB73310100	26x2.30	58-559	2x120	Foldable	1005 g	Dual	60	TR/DD
TB91009100	27.5x2.30	58-584	60	Foldable	845 g	Dual	60	EXO/TR
TB91009200	27.5x2.30	58-584	2x120	Foldable	1050 g	Dual	60	TR/DD
TB96882000	29x2.30	58-622	60	Foldable	900 g	Dual	60	EXO/TR
TB96882100	29x2.30	58-622	2x120	Foldable	1115 g	Dual	60	TR/DD



- ◆ **M343RU**
- ◆ **EXCELLENT ALL-AROUND PERFORMANCE**
- ◆ **DUAL-COMPOUND**
- ◆ **DOUBLEDOWN (DD) AVAILABLE**
- ◆ **TUBELESS READY (TR)**

The Aggressor is designed for high-speed modern mountain bike trails. Advanced knob shaping creates extra gripping edges, and reinforced side knobs offer enhanced stability when cornering at speed. An all-around trail tire excelling on everything from loose cross country race courses to heavy all-mountain riding.





## MINION SS

PART #	SIZE	ETRTO	TPI	BEAD	WEIGHT	COMPOUND	MAX PSI	TECH
TB73434000	26x2.30	58-559	60	Foldable	745 g	Dual	60	EXO/TR
TB73434100	26x2.30	58-559	60	Foldable	760 g	Dual	60	Silkworm/EXO/TR
TB73434200	26x2.30	58-559	2x120	Foldable	940 g	Dual	60	TR/DD
TB91007000	27.5x2.30	58-584	60	Foldable	775 g	Dual	60	EXO/TR
TB91007100	27.5x2.30	58-584	60	Foldable	790 g	Dual	60	Silkworm/EXO/TR
TB91007300	27.5x2.30	58-584	2x120	Foldable	975 g	Dual	60	TR/DD
TB96778000	29x2.30	58-622	60	Foldable	820 g	Dual	60	EXO/TR
TB96778100	29x2.30	58-622	60	Foldable	840 g	Dual	60	Silkworm/EXO/TR
TB96778300	29x2.30	58-622	2x120	Foldable	1040 g	Dual	60	TR/DD

HARDPACK	LOOSE/HARD	MEDIUM	LOOSE	WET	MUD	CORNERING CONTROL	ROLLING EFFICIENCY

- **M342RU**
- **SEMI-SLICK CENTER WITH MINION CORNERING KNOBS**
- **DUAL-COMPOUND**
- **DOUBLEDOWN (DD) AVAILABLE**
- **TUBELESS READY**
- **SILKWORM UNDER TREAD PROTECTION AVAILABLE**

The Minion SS fills the gap between a fast rolling XC tire and a grippy DH tire by including a cluster of short, ramped knobs, flanked by the much-loved Minion side knobs. This combination creates a fast-rolling tire with a square profile that hooks up in loose terrain. Perfect for the modern enduro circuit's long descents and longer climbs.



## MINION DHF

PART #	SIZE	ETRTO	TPI	BEAD	WEIGHT	COMPOUND	MAX PSI	TECH
TB73305200	26x2.30	58-559	60	Foldable	840 g	3C Maxx Terra	60	3C/EXO/TR
TB73305400	26x2.30	58-559	2x120	Foldable	1035 g	3C Maxx Terra	60	3C/TR/DD <b>NEW</b>
TB85925100	27.5x2.30	58-584	60	Foldable	875 g	3C Maxx Terra	60	3C/EXO/TR
TB85925500	27.5x2.30	58-584	60	Foldable	880 g	3C Maxx Terra	60	Skinwall/3C/EXO/TR <b>NEW</b>
TB85925600	27.5x2.30	58-584	2x120	Foldable	1075 g	3C Maxx Terra	60	3C/TR/DD <b>NEW</b>
TB85975100	27.5x2.50WT	63-584	60	Foldable	945 g	3C Maxx Terra	50	3C/EXO/TR
TB85975200	27.5x2.50WT	63-584	60	Foldable	980 g	3C Maxx Grip	50	3C/EXO/TR
TB85975300	27.5x2.50WT	63-584	2x120	Foldable	1170 g	3C Maxx Grip	50	3C/TR/DD <b>NEW</b>
TB91146200	27.5x2.60WT	66-584	60	Foldable	965 g	Dual	40	EXO/TR <b>NEW</b>
TB91146300	27.5x2.60WT	66-584	120	Foldable	925 g	3C Maxx Terra	40	3C/EXO/TR <b>NEW</b>
TB96785100	29x2.30	58-622	60	Foldable	925 g	3C Maxx Terra	60	3C/EXO/TR
TB96785400	29x2.30	58-622	2x120	Foldable	1145 g	3C Maxx Terra	60	3C/TR/DD <b>NEW</b>
TB96800300	29x2.50WT	63-622	60	Foldable	1015 g	3C Maxx Terra	50	3C/EXO/TR

SEE QUICK REFERENCE SECTION FOR ALL AVAILABLE MODELS

HARDPACK	LOOSE/HARD	MEDIUM	LOOSE	WET	MUD	CORNERING CONTROL	ROLLING EFFICIENCY

- **M301/M301E/M301RU**
- **DIRECTIONAL, RAMPED KNOB DESIGN**
- **3C MAXX GRIP & MAXX TERRA AVAILABLE**
- **DOUBLEDOWN (DD) AVAILABLE**
- **TUBELESS READY (TR) AVAILABLE**
- **WIDE TRAIL (WT) CASING IS OPTIMIZED FOR 30-35MM INNER WIDTH RIMS**

The Minion DHF is the standard by which all other aggressive mountain tires are measured. The DHF incorporates ramped knobs for low rolling resistance and channel-cut knobs to increase gripping edges, giving straight-line control and precise cornering.



## MINION DHR II

	PART #	SIZE	ETRTO	TPI	BEAD	WEIGHT	COMPOUND	MAX PSI	TECH
	TB73303100	26x2.30	58-559	60	Foldable	775 g	3C Maxx Terra	60	3C/EXO/TR
<b>NEW</b>	TB73303200	26x2.30	58-559	2x120	Foldable	940 g	3C Maxx Terra	60	3C/TR/DD
	TB72910100	26x2.40WT	61-559	60	Foldable	865 g	3C Maxx Terra	50	3C/EXO/TR
	TB85927000	27.5x2.30	58-584	60	Foldable	800 g	3C Maxx Terra	60	3C/EXO/TR
<b>NEW</b>	TB85927400	27.5x2.30	58-584	2x120	Foldable	1005 g	3C Maxx Terra	60	3C/TR/DD
	TB85962100	27.5x2.40WT	61-584	60	Foldable	900 g	3C Maxx Terra	60	3C/EXO/TR
	TB96776100	29x2.30	58-622	60	Foldable	855 g	3C Maxx Terra	60	3C/EXO/TR
<b>NEW</b>	TB96776400	29x2.30	58-622	2x120	Foldable	1040 g	3C Maxx Terra	60	3C/TR/DD
	TB96797100	29x2.40WT	61-622	60	Foldable	955 g	3C Maxx Terra	50	3C/EXO/TR

SEE QUICK REFERENCE SECTION FOR ALL AVAILABLE MODELS



- ◆ **M327/M327RU**
- ◆ **EXCELLENT BRAKING AND CORNERING TRACTION**
- ◆ **3C MAXX TERRA AVAILABLE**
- ◆ **DOUBLEDOWN (DD) AVAILABLE**
- ◆ **WIDE TRAIL (WT) CASING IS OPTIMIZED FOR 30-35MM INNER WIDTH RIMS**

The trail version of the Maxxis Minion DHR II features the same tread pattern as its downhill counterpart, but uses a single-ply casing to reduce weight. With side knobs borrowed from the legendary Minion DHF, but widened to provide more support, the DHR II corners like no other.



## HIGH ROLLER II

	PART #	SIZE	ETRTO	TPI	BEAD	WEIGHT	COMPOUND	MAX PSI	TECH
	TB73307000	26x2.30	58-559	60	Foldable	815 g	Dual	60	EXO/TR
	TB73307100	26x2.30	58-559	60	Foldable	835 g	3C Maxx Terra	60	3C/EXO/TR
	TB73307300	26x2.30	58-559	2x120	Foldable	1025 g	3C Maxx Terra	60	3C/TR/DD
	TB85923000	27.5x2.30	58-584	60	Foldable	845 g	Dual	60	EXO/TR
	TB85923100	27.5x2.30	58-584	60	Foldable	870 g	3C Maxx Terra	60	3C/EXO/TR
	TB85924600	27.5x2.30	58-584	2x120	Foldable	1065 g	3C Maxx Terra	60	3C/TR/DD
	TB85914800	27.5x2.40	61-584	60	Foldable	975 g	Single	65	SilkShield/eBike
	TB91052100	27.5x2.40	61-584	60	Foldable	910 g	3C Maxx Terra	60	3C/EXO/TR
	TB96769000	29x2.30	58-622	60	Foldable	890 g	Dual	60	EXO/TR
	TB96769100	29x2.30	58-622	60	Foldable	920 g	3C Maxx Terra	60	3C/EXO/TR
	TB96769600	29x2.30	58-622	2x120	Foldable	1135 g	3C Maxx Terra	60	3C/TR/DD

SEE QUICK REFERENCE SECTION FOR ALL AVAILABLE MODELS



- ◆ **M325P/M325RU**
- ◆ **OPEN TREAD DESIGN**
- ◆ **IMPROVED BRAKING AND TRACTION**
- ◆ **3C MAXX TERRA AVAILABLE**
- ◆ **TUBELESS READY (TR) AVAILABLE**
- ◆ **DOUBLEDOWN (DD) AVAILABLE**

An open and aggressive tread design gives the High Roller II excellent soil penetration and mud-clearing ability. A square profile provides a solid, consistent feel across the knobs. Modified knobs on the shoulder and center improve braking performance and traction on hard surfaces. An excellent choice for technical, freeride terrain.





RIDER: ANTOINE BIZET PHOTO: COLIN MEAGHER





## MINION SS

PART #	SIZE	ETRTO	TPI	BEAD	WEIGHT	COMPOUND	MAX PSI	TECH
TB85973100	27.5x2.50	63-584	60	Wire	1335 g	Super Tacky	65	ST
TB85973000	27.5x2.50	63-584	60	Wire	1335 g	3C Maxx Grip	65	3C

HARDPACK	LOOSE/HARD	MEDIUM	LOOSE	WET	MUD	CORNERING CONTROL	ROLLING EFFICIENCY
[Progress bar]		[Progress bar]	[Progress bar]	[Progress bar]	[Progress bar]	[Progress bar]	[Progress bar]

- **M342P**
- **SEMI-SLICK CENTER WITH MINION CORNERING KNOBS**
- **3C MAXX GRIP AVAILABLE**
- **DUAL-PLY CASING WITH BUTYL INSERT**

The Minion SS fills the gap between a fast-rolling XC tire and a grippy DH tire by including a cluster of short, ramped knobs, flanked by familiar Minion side knobs. This combination creates a fast-rolling tire with a square profile that hooks up in loose terrain. Perfect for the modern enduro circuit's long descents and longer climbs.



## MINION DHF

PART #	SIZE	ETRTO	TPI	BEAD	WEIGHT	COMPOUND	MAX PSI	TECH
TB50614000	24x2.40	61-507	60	Wire	1155 g	3C Maxx Grip	65	3C <b>NEW</b>
TB74265700	26x2.50	55-559	60	Wire	1180 g	Single	65	—
TB74265000	26x2.50	55-559	60	Wire	1200 g	Super Tacky	65	ST
TB74262000	26x2.50	55-559	27	Foldable	1180 g	Super Tacky	55	UST/ST
TB74265500	26x2.50	55-559	60	Wire	1265 g	3C Maxx Grip	65	3C
TB74269000	26x2.50	55-559	60	Wire	1270 g	3C Maxx Grip	65	3C/Skinwall
TB85976100	27.5x2.50	63-584	60	Wire	1390 g	Super Tacky	50	ST
TB85976000	27.5x2.50	63-584	60	Wire	1390 g	3C Maxx Grip	50	3C
TB96800100	29x2.50	63-622	60	Foldable	1250 g	Dual	50	EXO/TR
TB96800200	29x2.50	63-622	60	Foldable	1295 g	3C Maxx Grip	50	3C/EXO/TR

HARDPACK	LOOSE/HARD	MEDIUM	LOOSE	WET	MUD	CORNERING CONTROL	ROLLING EFFICIENCY
[Progress bar]		[Progress bar]	[Progress bar]	[Progress bar]	[Progress bar]	[Progress bar]	[Progress bar]

- **M301/M301P/M301RU**
- **DIRECTIONAL, RAMPED KNOB DESIGN**
- **DUAL-PLY CASING WITH BUTYL INSERT**
- **TUBELESS READY (TR) AVAILABLE**
- **3C MAXX GRIP AND SUPER TACKY AVAILABLE**

The Minion DHF is the standard by which all other downhill tires are measured. The DHF incorporates ramped knobs for low rolling resistance and channel-cut knobs to increase gripping edges, giving straight-line control and precise cornering.





## MINION DHR II

PART #	SIZE	ETRTO	TPI	BEAD	WEIGHT	COMPOUND	MAX PSI	TECH
TB72907000	26x2.40	61-559	60	Wire	1240 g	Single	65	—
TB72907100	26x2.40	61-559	60	Wire	1265 g	3C Maxx Grip	65	3C
TB72907200	26x2.40	61-559	60	Wire	1225 g	Super Tacky	65	ST
TB91051600	27.5x2.40	61-584	60	Wire	1285 g	Single	65	—
TB91051100	27.5x2.40	61-584	60	Wire	1270 g	Super Tacky	65	ST
TB91051000	27.5x2.40	61-584	60	Wire	1315 g	3C Maxx Grip	65	3C



- ◆ **M327**
- ◆ **EXCELLENT BRAKING AND CORNERING TRACTION**
- ◆ **3C MAXX GRIP AND SUPER TACKY AVAILABLE**
- ◆ **DUAL-PLY CASING WITH BUTYL INSERT**

Featuring an all-new tread design, the Minion DHR II is the ideal tire for aggressive gravity riding. With side knobs borrowed from the legendary Minion DHF, but widened to provide more support, the DHR II corners like no other. The center tread features ramped knobs.



## HIGH ROLLER II

PART #	SIZE	ETRTO	TPI	BEAD	WEIGHT	COMPOUND	MAX PSI	TECH
TB74177200	26x2.40	61-559	60	Wire	1205 g	Single	65	—
TB74177100	26x2.40	61-559	60	Wire	1260 g	3C Maxx Grip	65	3C
TB74177600	26x2.40	61-559	60	Wire	1225 g	Super Tacky	65	ST
TB85915300	27.5x2.40	61-584	60	Wire	1250 g	Single	65	—
TB85915100	27.5x2.40	61-584	60	Wire	1270 g	Super Tacky	65	ST
TB85915200	27.5x2.40	61-584	60	Wire	1305 g	3C Maxx Grip	65	3C
TB91052000	27.5x2.40	61-584	60	Foldable	1230 g	3C Maxx Grip	60	3C/TR



- ◆ **M325P/M325RU**
- ◆ **OPEN TREAD DESIGN**
- ◆ **IMPROVED BRAKING AND TRACTION**
- ◆ **3C MAXX GRIP AND SUPER TACKY AVAILABLE**
- ◆ **DUAL-PLY CASING WITH BUTYL INSERT**

An open and aggressive tread design gives the High Roller II excellent soil penetration and mud-clearing ability. A square profile provides a solid, consistent feel across the knobs. Modified knobs on the shoulder and center improve braking performance and traction on hard surfaces. When gravity pulls you downhill, rely on the High Roller II to keep you upright.



**NAME: JILL KINTNER // TEAM: RED BULL/ NORCO // HOMETOWN: SEATTLE, WA**  
**SPECIALTY: GRAVITY MTB RACE - DH, SLALOM, PUMPTRACK, ENDURO**  
**SEASON HIGHLIGHT: QUEEN OF CRANKWORX // CAREER HIGHLIGHT: 2008 OLYMPIC MEDAL IN BMX**



*The High Roller II is my all time favorite tire in most conditions. I like the way the edge feels, how the rubber grips, and how reliable Maxxis tires are.*



# SHORTY

PART #	SIZE	ETRTO	TPI	BEAD	WEIGHT	COMPOUND	MAX PSI	TECH
TB72911100	26x2.40	61-559	60	Wire	1215 g	Super Tacky	65	ST
TB72911000	26x2.40	61-559	60	Wire	1215 g	3C Maxx Grip	65	3C
TB91056100	27.5x2.40	61-584	60	Wire	1270 g	Super Tacky	65	ST
TB91056000	27.5x2.40	61-584	60	Wire	1270 g	3C Maxx Grip	65	3C



- **M331P**
- **LARGE, AGGRESSIVE LUGS**
- **3C MAXX GRIP AND SUPER TACKY AVAILABLE**
- **DUAL-PLY CASING WITH BUTYL INSERT**

Today's World Cup downhill tracks are steep, technical monsters with ever-changing conditions. Our pros needed a mid-spike tire that could handle dry, loose, blown-out corners as well as a bit of mud. The Shorty is that tire. A high-volume, dual-ply downhill casing makes the Shorty a more versatile option than a dedicated mud spike like our Wet Scream. Large, tall and slightly staggered side knobs penetrate loose soil to provide predictable, stable cornering at warp speeds.



# WETSCREAM

PART #	SIZE	ETRTO	TPI	BEAD	WEIGHT	COMPOUND	MAX PSI	TECH
TB74276000	26x2.50	55-559	60	Wire	1160 g	Super Tacky	65	ST
TB85977000	27.5x2.50	55-584	60	Wire	1205 g	Super Tacky	65	ST
TB85977100	27.5x2.50	55-584	2x120	Foldable	1015 g	Super Tacky	65	ST/DD



- **M137**
- **WIDELY-SPACED, SHARP SQUARE DESIGN**
- **DUAL-PLY CASING WITH BUTYL INSERT**
- **MUD-SPECIFIC TIRE**

Designed for the muddiest downhill race course in the world: Les Gets, France. Not for your local trail, the Wetscream is intended for competition use only, on professionally maintained courses. When the course turns ugly, trust the Wetscream to carry you to victory.



**NAME: BERNARD KERR // TEAM: PIVOT FACTORY RACING // HOMETOWN: GUILDFORD, ENGLAND**  
**SPECIALTY: STOPPIES, DH RACING AND WHIPS!**  
**SEASON HIGHLIGHT: 7TH AT LEOGANG WORLD CUP // CAREER HIGHLIGHT: KING OF CRANKWORX 2015**



*I think I won the King of Crankworx title because Maxxis had the best tires for every discipline I competed in. Whether it was the downhill, whip-offs, or dual slalom Maxxis had a tire that fit my needs. The Minion rear has to be my favorite, though!*





PHOTO: GEORGE LEACH



## IKON+

PART #	SIZE	ETRTO	TPI	BEAD	WEIGHT	COMPOUND	MAX PSI	TECH
TB96904200	27.5x2.80	71-584	120	Foldable	725 g	Dual	35	—
TB96904100	27.5x2.80	71-584	120	Foldable	770 g	Dual	35	EXO/TR
TB96904000	27.5x2.80	71-584	120	Foldable	770 g	3C Maxx Speed	35	3C/EXO/TR



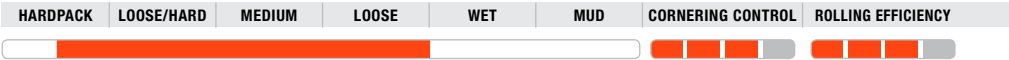
- **M319**
- **27.5+ TIRE**
- **HIGH-VOLUME, VERSATILE RACE TIRE**
- **3C MAXX SPEED AVAILABLE**
- **EXO PROTECTION AVAILABLE**
- **TUBELESS READY (TR)**

The Ikon+ upsizes our most versatile XC tire to the plus bike platform. With knob sizes and heights optimized for the higher volume and lower pressures of plus bikes, expect the familiar fast-rolling and predictable handling tread with an even larger contact patch for the fastest trail riding experience.



## REKON+

PART #	SIZE	ETRTO	TPI	BEAD	WEIGHT	COMPOUND	MAX PSI	TECH
TB96906000	27.5x2.80	71-584	60	Foldable	825 g	Dual	35	EXO/TR
TB96906100	27.5x2.80	71-584	120	Foldable	780 g	3C Maxx Terra	35	3C/EXO/TR
TB96906500	27.5x2.80	71-584	120	Foldable	885 g	3C Maxx Terra	35	3C/SilkShield/EXO/TR



- **M349**
- **27.5+ TIRE**
- **DESIGNED FOR AGGRESSIVE XC TRAILS**
- **3C MAXX TERRA AVAILABLE**
- **EXO PROTECTION AVAILABLE**
- **TUBELESS READY (TR)**

The Rekon+ is an aggressive trail tire inspired by the Ikon+ for intermediate and technical terrain. Wide knobs down the middle provide control under braking and L-shaped side knobs assure support when carving loose turns. With confidence like this you can race more and scout less with the Rekon+.





# MINION DHF

PART #	SIZE	ETRTO	TPI	BEAD	WEIGHT	COMPOUND	MAX PSI	TECH
TB74392100	26x2.80	71-599	60	Foldable	1000 g	Dual	35	EXO/TR
TB74392000	26x2.80	71-599	120	Foldable	940 g	3C Maxx Terra	35	3C/EXO/TR
TB96908100	27.5x2.80	71-584	60	Foldable	1040 g	Dual	35	EXO/TR
TB96908000	27.5x2.80	71-584	120	Foldable	980 g	3C Maxx Terra	35	3C/EXO/TR
TB96834100	29x3.00	76-622	60	Foldable	1160 g	Dual	30	EXO/TR
TB96834000	29x3.00	76-622	120	Foldable	1110 g	3C Maxx Terra	30	3C/EXO/TR



- ◆ **M301**
- ◆ **FRONT SPECIFIC TREAD PATTERN**
- ◆ **GREAT BRAKING CHARACTERISTICS**
- ◆ **3C MAXX TERRA AVAILABLE**
- ◆ **EXO PROTECTION**
- ◆ **TUBELESS READY (TR)**

“Just run a DHF.” How many times have you heard or said this when talking tire advice? For over a decade, the Minion DHF has been the tire to beat, whether you’re racing your friends on Saturday or the clock on Sunday. The tread pattern behind countless championship wins is now available in a high-volume plus tire design so you can make new memories with an old friend.



# MINION DHR II

PART #	SIZE	ETRTO	TPI	BEAD	WEIGHT	COMPOUND	MAX PSI	TECH
TB74394100	26x2.80	71-599	60	Foldable	1000 g	Dual	35	EXO/TR
TB74394000	26x2.80	71-599	120	Foldable	940 g	3C Max Terra	35	3C/EXO/TR
TB96909100	27.5x2.80	71-584	60	Foldable	1040 g	Dual	35	EXO/TR
TB96909000	27.5x2.80	71-584	120	Foldable	980 g	3C Maxx Terra	35	3C/EXO/TR
TB96835100	29x3.00	76-622	60	Foldable	1160 g	Dual	30	EXO/TR
TB96835200	29x3.00	76-622	120	Foldable	1110 g	3C Maxx Terra	30	3C/EXO/TR



- ◆ **M327**
- ◆ **EXCELLENT BRAKING AND CORNERING TRACTION**
- ◆ **GREAT BRAKING CHARACTERISTICS**
- ◆ **3C MAXX TERRA AVAILABLE**
- ◆ **EXO PROTECTION**
- ◆ **TUBELESS READY (TR)**

The Minion DHR II is the Yang to the DHF’s Yin, the perfect complement, and now available for the most capable plus bikes on the market. Proven paddle knobs down the center not only provide decreased rolling resistance compared to the DHF, but also offer increased braking when the trail gets loose. Those knobs allow you to brake harder in the steepest terrain to maintain your balance as you let the high-volume casing absorb any trail irregularities.



**NAME: AARON CHASE // TEAM: GOPRO/ RED BULL/ PIVOT // HOMETOWN: VERNON, NJ**  
**SPECIALTY: : INSANE FREE RIDE PRODUCTION**  
**SEASON HIGHLIGHT: GOPRO/ FORD UN-STOPPABLE FEATURE, RED BULL “TRAIL CHASER” 9 PART SERIES**  
**CAREER HIGHLIGHT: “LOST IN PERU” WITH GOPRO OR “COMBING VALPARAISO” WITH GOPRO**



*I just tackled the “White line” trail in Sedona, AZ! This trail has the most exposure and slowest speed of any trail out there. I trusted the 27.5+ High Roller II so I would have as much traction on the side knobs as possible; the consequences were life and death.*





## HIGH ROLLER II

PART #	SIZE	ETRTO	TPI	BEAD	WEIGHT	COMPOUND	MAX PSI	TECH
TB96910100	27.5x2.80	71-584	60	Foldable	1040 g	Dual	35	EXO/TR
TB96910000	27.5x2.80	71-584	120	Foldable	980 g	3C Maxx Terra	35	3C/EXO/TR
TB91154100	27.5x3.00	76-584	60	Foldable	1055 g	Dual	30	EXO/TR
TB91154000	27.5x3.00	76-584	120	Foldable	990 g	3C Maxx Terra	30	3C/EXO/TR

HARDPACK	LOOSE/HARD	MEDIUM	LOOSE	WET	MUD	CORNERING CONTROL	ROLLING EFFICIENCY
[Progress bar]		[Progress bar]	[Progress bar]	[Progress bar]	[Progress bar]	[Progress bar]	[Progress bar]

- ◆ **M325**
- ◆ **FAST ROLLING DESIGN**
- ◆ **GREAT BRAKING CHARACTERISTICS**
- ◆ **3C MAXX TERRA AVAILABLE**
- ◆ **EXO PROTECTION**
- ◆ **TUBELESS READY (TR)**

The High Roller II is one of the most celebrated and widely used mountain bike tires on the market. The new higher volume of the plus platform complements the open knob pattern for the best in flotation over loose terrain while biting through the powder, soft dirt and mud when necessary. You fell in love with it on your old 26" bike and have run it on each bike since; now crush everything in your path with the new plus-sized High Roller II.





## MINION FBF

PART #	SIZE	ETRTO	TPI	BEAD	WEIGHT	COMPOUND	MAX PSI	TECH
TB72655200	26x4.00	102-559	60	Foldable	1290 g	Dual	30	—
TB72655100	26x4.00	102-559	120	Foldable	1225 g	Dual	30	—
TB72655000	26x4.00	102-559	120	Foldable	1295 g	Dual	30	EXO/TR
TB72662200	26x4.80	122-559	60	Foldable	1650 g	Dual	20	—
TB72662100	26x4.80	122-559	120	Foldable	1575 g	Dual	20	—
TB72662000	26x4.80	122-559	120	Foldable	1645 g	Dual	20	EXO/TR
<b>NEW</b> TB91183000	27.5x3.80	97-584	60	Foldable	1470 g	Dual	30	—
<b>NEW</b> TB91182200	27.5x3.80	97-584	120	Foldable	1400 g	Dual	30	—
<b>NEW</b> TB91182000	27.5x3.80	97-584	120	Foldable	1475 g	Dual	30	EXO/TR



- ◆ **M346**
- ◆ **INSPIRED BY THE MINION DHF**
- ◆ **FRONT-SPECIFIC TREAD DESIGN**
- ◆ **EXO PROTECTION AVAILABLE**
- ◆ **TUBELESS READY (TR) AVAILABLE**

The Minion FBF represents a progression in fat-biking by offering a front-specific tire designed for trail riding. Featuring the proven Minion DHF tread blocks, the FBF combines extreme cornering capability, low rolling resistance, and fat-tire volume for unsurpassed grip on uneven and loose surfaces.



## MINION FBR

PART #	SIZE	ETRTO	TPI	BEAD	WEIGHT	COMPOUND	MAX PSI	TECH
TB72656200	26x4.00	102-559	60	Foldable	1360 g	Dual	30	—
TB72656100	26x4.00	102-559	120	Foldable	1295 g	Dual	30	—
TB72656000	26x4.00	102-559	120	Foldable	1365 g	Dual	30	EXO/TR
TB72664200	26x4.80	122-559	60	Foldable	1625 g	Dual	20	—
TB72664100	26x4.80	122-559	120	Foldable	1550 g	Dual	20	—
TB72664000	26x4.80	122-559	120	Foldable	1620 g	Dual	20	EXO/TR
TB91184200	27.5x3.80	97-584	60	Foldable	1280 g	Dual	30	—
TB91184100	27.5x3.80	97-584	120	Foldable	1210 g	Dual	30	—
TB91184000	27.5x3.80	97-584	120	Foldable	1285 g	Dual	30	EXO/TR



- ◆ **M347**
- ◆ **INSPIRED BY THE MINION DHR II**
- ◆ **REAR-SPECIFIC TREAD DESIGN**
- ◆ **EXO PROTECTION AVAILABLE**
- ◆ **TUBELESS READY (TR) AVAILABLE**

The Minion FBR is a rear-specific fat bike tire designed for trail riding. It shares the look of the Minion DHR II, but is optimized for fat biking. The Minion FBR features well-known, proven side knobs for cornering traction and ramped, paddle-like knobs down the middle, minimizing rolling resistance and maximizing traction in all conditions.



RIDER: GEOFF GULEVICH



# COLOSSUS

PART #	SIZE	ETRTO	TPI	BEAD	WEIGHT	COMPOUND	MAX PSI	TECH
TB72660200	26x4.80	122-559	60	Foldable	1520 g	Dual	20	—
TB72660100	26x4.80	122-559	120	Foldable	1445 g	Dual	20	—
TB72660000	26x4.80	122-559	120	Foldable	1515 g	Dual	20	EXO/TR



- **M341**
- **SNOW-SPECIFIC TREAD PATTERN**
- **EXO PROTECTION AVAILABLE**
- **TUBELESS READY (TR) AVAILABLE**

The Colossus is a fat tire designed for use in winter conditions. The tread consists of numerous tall knobs designed to penetrate snow and grip the hard terrain underneath. The open tread pattern clears out packed snow to maintain traction, and a special rubber compound stays pliable in freezing conditions.





RIDER: DARRIN BERRICLOTH





## DTH

PART #	SIZE	ETRTO	TPI	BEAD	WEIGHT	COMPOUND	MAX PSI	TECH
TB72683000	26x2.15	52/54-559	60	Foldable	550 g	Single	80	—
TB72683100	26x2.15	52/54-559	60	Foldable	555 g	Single	80	Skinwall
TB73300000	26x2.30	55/58-559	60	Wire	730 g	Single	65	—
TB73301000	26x2.30	55/58-559	60	Foldable	650 g	Single	65	—
TB73300300	26x2.30	55/58-559	60	Foldable	650 g	Single	65	Skinwall

DIRT	STREET	PARK	FLAT	VERT

- ◆ **M147**
- ◆ **GROOVED-SLICK URBAN OPTION**
- ◆ **LIGHTWEIGHT, SINGLE-PLY CASING**

The same DTH BMX tread in 26" size offerings to provide multiple options in a dirt/urban environment. The lightweight construction makes this version ideal for dirt jumping and even commuting. Choose your size, choose your style and choose the DTH.



**NAME: DARREN BERRE CLOTH // TEAM: TEAM CANYON, RED BULL, GOPRO, ADIDAS EYEWEAR, SOMBRIO, SHIMANO, SPANK, DVO SUSPENSION, MAXXIS, LED LENSER, EVOC, IXS PROTECTION, FIVE TEN SHOES, AVENA ORIGINALS HEALTH PRODUCTS, ACTION WIPES.**  
**HOMETOWN: PARKSVILLE, B.C. // SPECIALTY: FREERIDING, SLOPESTYLE, BIG MOUNTAIN RIDING**  
**SEASON HIGHLIGHT: EXPLORING THE CANADIAN ARCTIC**  
**CAREER HIGHLIGHT: QASHQAI CHALLENGE TOUR WINNER**



Maxxis tires were an immediate confidence booster when I first dropped in with them underneath me.



## TORCH

PART #	SIZE	ETRTO	TPI	BEAD	WEIGHT	COMPOUND	MAX PSI	TECH
TB96651200	29x2.10	53-622	120	Foldable	625 g	Single	65	Silkworm

DIRT	STREET	PARK	FLAT	VERT

- ◆ **M149P**
- ◆ **LIGHTWEIGHT CONSTRUCTION**
- ◆ **SILKWORM PUNCTURE PROTECTION**

Since its introduction, the Torch has set fire to BMX tracks around the globe. Now available in a 29" size, the Torch is ready to burn up your local streets! The same fast-rolling tread pattern and supple, 120 TPI casing that made the 20" version so popular has made its way to this new 29" size. Choose the Torch for your 29er urban assault bike!





RIDER: ANTHONY NAPOLITAN



**NAME: ANTHONY NAPOLITAN**  
**TEAM: BMX**  
**HOMETOWN: YOUNGSTOWN, OH**  
**COSTA MESA, CA**  
**SPECIALTY: GETTING RAD!**  
**SEASON HIGHLIGHT: 2016 UK BMX**  
**DIRT STOP 2 WINNER**  
**CAREER HIGHLIGHT: 3X DEW TOUR**  
**CHAMPION/ X-GAMES MEDALIST,**  
**DREAMLINE CREATOR,**  
**WORLD CHAMPION OF DIRT,**  
**2X EXTREME PLAYGROUND CHAMPION**



*I've been a part of Maxxis Tires for over ten years. I could never imagine putting another tire on my BMX bike. I've been a firm believer in the Grifter ever since its debut. It's fast, strong, smooth and lightweight. It also adapts to any riding surface.*



**NAME: CAROLINE BUCHANAN**  
**TEAM: DK BICYCLES BMX / AIRBORNE**  
**BICYCLES MOUNTAIN BIKE**  
**HOMETOWN: CANBERRA, AUSTRALIA**  
**SPECIALTY: BMX RACING & MOUNTAIN**  
**BIKING**  
**SEASON HIGHLIGHT: 2013 WINNING**  
**TWO WORLD TITLES IN 2 CYCLING**  
**DISCIPLINES. BMX RACING AND**  
**4CROSS MOUNTAIN BIKE RACING.**  
**CAREER HIGHLIGHT: 3X BMX WORLD**  
**CHAMPION 2012, 2013, 2016**  
**3X MOUNTAIN BIKE WORLD**  
**CHAMPION 2009, 2010, 2013**



*Every race is won and lost by hundredths of a second, preparation and no mistakes. With Maxxis Tires, fear remains in the dust when traction is solid.*



## TORCH

PART #	SIZE	ETRTO	TPI	BEAD	WEIGHT	COMPOUND	MAX PSI	TECH
TB20354000	20x1 1/8	28-451	120	Wire	260 g	Dual	85	Silkworm
TB20626000	20x1 3/8	37-451	120	Wire	310 g	Dual	100	Silkworm
TB22783100	20x1.50	38-406	120	Foldable	320 g	Dual	110	SilkShield
TB24755100	20x1.75	44-406	120	Foldable	360 g	Dual	110	SilkShield
<b>NEW</b> TB24755200	20x1.75	44-406	60	Foldable	445 g	Dual	110	Skinwall
TB29519100	20x1.95	49-406	120	Foldable	395 g	Dual	110	SilkShield
TB29519300	20x1.95	49-406	60	Foldable	490 g	Dual	110	Skinwall
<b>NEW</b> TB31032000	20x2.20	56-406	60	Foldable	475 g	Dual	110	SilkShield
TB47641000	24x1.75	44-507	120	Wire	450 g	Dual	65	Silkworm



- **M149**
- **LIGHTWEIGHT CONSTRUCTION**
- **DUAL-COMPOUND**
- **SILKWORM & SILKSHIELD**

Light up the track and your competition with the Torch. In an all-out sprint for 30 seconds, you need every advantage you can get, which is why the Torch features a lightweight, 120 TPI casing and a tread pattern designed to let you rip through the pavement of modern BMX tracks.



## GRIFTER

PART #	SIZE	ETRTO	TPI	BEAD	WEIGHT	COMPOUND	MAX PSI	TECH
TB29643000	20x1.85	48-406	120	Foldable	410 g	Dual	110	SilkShield
TB29643100	20x1.85	48-406	60	Foldable	505 g	Dual	110	Skinwall
TB30704600	20x2.10	53-406	120	Foldable	455 g	Dual	110	SilkShield
TB30704200	20x2.10	53-406	60	Foldable	550 g	Dual	110	Skinwall
TB35849200	20x2.30	58-406	120	Foldable	560 g	Dual	110	SilkShield
TB35849000	20x2.30	58-406	60	Foldable	635 g	Dual	110	Skinwall
TB35949000	20x2.40	61-406	60	Foldable	605 g	Dual	110	SilkShield <b>NEW</b>



- **M148**
- **LIGHTWEIGHT FREESTYLE TIRE**
- **DUAL-COMPOUND**
- **110 PSI HIGH AIR-PRESSURE RATED**

It almost feels like cheating: The foldable bead and lightweight materials allow tricks to flow more easily – without the extra weight to throw around. High pressure and dual-compound tread make landings stick at any angle. Maxxis used these technologies and more to produce the Grifter – simply the best freestyle tire ever.





## CREEPLY CRAWLER F

PART #	SIZE	ETRTO	TPI	BEAD	WEIGHT	COMPOUND	MAX PSI	TECH
TB29688100	20x2.00	54-406	60	Wire	625 g	Super Tacky	50	ST
DIRT		STREET		PARK		FLAT		VERT

- ◆ **M143**
- ◆ **BLOCK DESIGN**
- ◆ **FRONT-SPECIFIC**
- ◆ **BUILT ON 54-406MM CASING (20")**

The Creepy Crawler F is the ultimate all-around modified trials tire. Designed with a Super Tacky (ST) tread compound, this tire is built to keep you upright on the nastiest obstacles. The Creepy Crawler F is made to be ridden with the Creepy Crawler R for maximum performance from your modified trials bike.



## CREEPLY CRAWLER R

PART #	SIZE	ETRTO	TPI	BEAD	WEIGHT	COMPOUND	MAX PSI	TECH
TB35877000	20x2.50	67-387	25	Wire	1070 g	Super Tacky	50	ST
DIRT		STREET		PARK		FLAT		VERT

- ◆ **M143**
- ◆ **BLOCK DESIGN**
- ◆ **REAR-SPECIFIC**
- ◆ **BUILT ON 67-387MM CASING (19")**
- ◆ **20X2.50 WILL NOT FIT A STANDARD 20" BMX WHEEL**

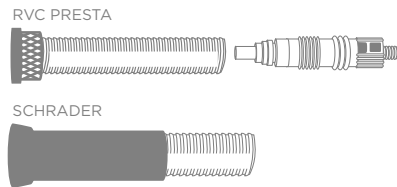
If you're a modified trials rider who wants aggressive traction for the most demanding conditions, the Creepy Crawler R is made for you. The Creepy Crawler R is constructed to be strong and durable, featuring Super Tacky (ST) tread compound that sticks to any obstacle. To sum it up, the Maxxis Creepy Crawler is the best modified trials tire on the market.



## FLY WEIGHT

PART #	SIZE	WEIGHT	VALVE TYPE
SIB6388410	26x1.90/2.125	94 g	Presta RVC
SIB7512000	27.5x1.90/2.125	108 g	Presta RVC
SIB9684500	29x1.90/2.125	115 g	Presta RVC
SIB6987820	700x18/25C	52 g	Presta 60mm RVC

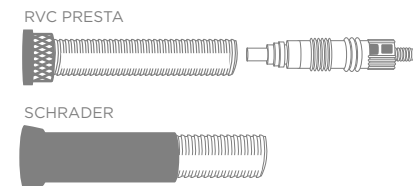
- **.45 MM THIN WALLS**
- **LIGHTEST TUBE AVAILABLE**
- **MAXXIS RIM STRIP INCLUDED**
- **PRESTA & SCHRADER VALVES**



## ULTRALIGHT

PART #	SIZE	WEIGHT	VALVE TYPE
IB25400000	20x1.50/1.75	83 g	Schrader
IB29520000	20x1.90/2.125	95 g	Schrader
IB59763900	26x1.50/1.75	110 g	Presta RVC
IB60064200	26x1.50/1.75	111 g	Presta 48mm RVC
IB63828900	26x1.90/2.125	125 g	Presta RVC
IB63810000	26x1.90/2.125	126 g	Schrader
IB75076300	27.5x1.90/2.35	144 g	Presta RVC
IB75077200	27.5x1.90/2.35	145 g	Presta RVC
IB96827400	29x1.90/2.35	154 g	Presta RVC
IB96827600	29x1.90/2.35	155 g	Presta 48mm RVC
IB51596200	650x18/25C	69 g	Presta 48mm RVC
IB69838600	700x18/25C	66 g	Presta 48mm RVC
IB69859200	700x18/25C	67 g	Presta 60mm RVC

- **.60 MM THIN WALLS**
- **LIGHTWEIGHT AND DURABLE FOR RACING**
- **PRESTA & SCHRADER VALVES**



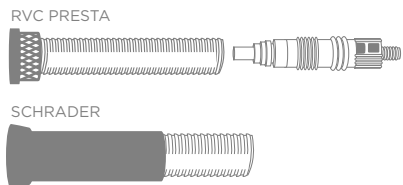




## WELTERWEIGHT

PART #	SIZE	WEIGHT	VALVE TYPE
IB14205000	16x1.90/2.125	96 g	Schrader
IB29513000	20x1.90/2.125	122 g	Schrader
IB22993000	20x11/4-13/8	106 g	Presta RVC
IB29513200	20x1.90/2.125	121 g	Presta RVC
IB48713000	24x1.90/2.125	147 g	Presta RVC
IB49899000	24x1.90/2.125	148 g	Schrader
IB63464200	26x1.90/2.125	161 g	Presta RVC
IB67681000	26x1.90/2.125	162 g	Schrader
IB75078400	27.5x1.90/2.35	190 g	Presta RVC
IB75079300	27.5x1.90/2.35	191 g	Presta RVC
IB75097100	27.5x2.2/2.5	221 g	Presta RVC
IB96826100	29x1.90/2.35	177 g	Presta RVC
IB81555100	700x18/25,27x7/8-1	84 g	Presta 48mm RVC
IB81556100	700x18/25,27x7/8-1	85 g	Presta 60mm RVC
IB94198100	700x35/45,27x1 3/8-1 3/4	127 g	Presta RVC

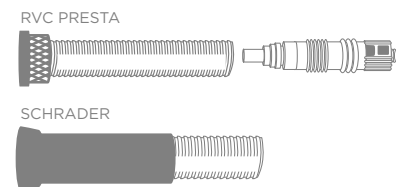
- **.80 MM THIN WALLS**
- **PUNCTURE RESISTANT**
- **PRESTA & SCHRADER VALVES**



## FREERIDE

PART #	SIZE	WEIGHT	VALVE TYPE
IB67446800	26x2.20/2.50	293 g	Presta RVC
IB67445000	26x2.20/2.50	294 g	Schrader
IB75102000	27.5x2.20/2.50	327 g	Schrader
IB75105100	27.5x2.20/2.50	326 g	Presta RVC
IB75109100	27.5x2.20/2.50	327 g	Presta 48mm RVC

- **1.2 MM THIN WALLS**
- **FREERIDE-SPECIFIC**
- **PRESTA & SCHRADER VALVES**

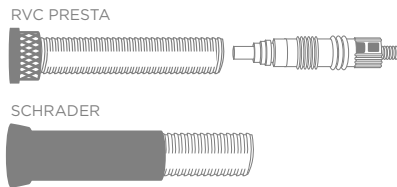




## DOWNHILL

PART #	SIZE	WEIGHT	VALVE TYPE
IB49959900	24x2.50/2.70	426 g	Presta RVC
IB49963000	24x2.50/2.70	427 g	Schrader
IB68560100	26x2.50/2.70	448 g	Presta RVC
IB68566000	26x2.50/2.70	449 g	Schrader

- ◆ 1.5 MM THIN WALLS
- ◆ DOWNHILL-SPECIFIC
- ◆ PRESTA & SCHRADER VALVES



## FAT / PLUS

PART #	SIZE	WEIGHT	VALVE TYPE
IB68600200	26x3.80/5.00	427	Presta RVC
IB68600800	26x3.80/5.00	428	Schrader
IB75501000	27.5x2.50/3.00	364	Presta RVC
IB75511000	27.5x2.50/3.00	365	Schrader
IB75660000	27.5x3.80/5.00	439	Presta RVC
IB75665000	27.5x3.80/5.00	440	Presta 48mm RVC
IB75670000	27.5x3.80/5.00	440	Schrader
IB97200200	29x2.50/3.00	390	Presta RVC
IB97200400	29x2.50/3.00	391	Presta 48mm RVC

- ◆ 1.0 MM THIN WALLS
- ◆ FAT BIKE-SPECIFIC
- ◆ PRESTA AND SCHRADER VALVES



**NAME:** **BRYN ATKINSON**  
**TEAM:** **NORCO/ SHIMANO/ FOX/ MAXXIS/ RENTHAL/ SOMBRIO/ BELL/ SMITH**  
**HOMETOWN:** **TOWNSVILLE, AUSTRALIA**  
**SPECIALTY:** **RIPPING TRAIL // SEASON HIGHLIGHT:** **CREATING THE GALBY VIDEO**  
**CAREER HIGHLIGHT:** **DH WORLD CHAMPIONSHIP TOP 10 WAY BACK IN 2005. MY MUM HAD NEVER BEEN OVERSEAS, SO I FLEW HER OUT TO ITALY FROM AUSTRALIA. SHE SHOWED UP THE MORNING OF THE RACE AFTER I HADN'T SEEN HER ALL YEAR, THAT WAS A GOOD DAY.**



*There is nothing quite like the way a Maxxis tire touches the ground; it's a subtle feel, but it's everything. Having ridden Maxxis for the last eight years, I depend on that feeling to ride flat-out and know exactly where the breaking point of traction is. My tire of choice is the Highroller II, across all disciplines.*



**ROAD**

MODEL	PART #	SIZE	ETRTO	TPI	BEAD	WEIGHT	COMPOUND	MAX PSI	COLOR	TECH
<b>CAMPIONE</b>	TB88104000	28"x23mm	—	120	—	265 g	3C	170	Black	3C/K2/Silkworm
	TB88205000	28"x25mm	—	120	—	285 g	3C	170	Black	3C/K2/Silkworm
<b>CAMPIONE TT</b>	TB88104100	28"x23mm	—	120	—	245 g	3C	170	Black	3C
	TB88205100	28"x25mm	—	120	—	260 g	3C	170	Black	3C
<b>COLUMBIERE</b>	TB86355000	700x23C	23-622	120	Foldable	200 g	Single	130	Black	Nylon Breaker
	TB86370000	700x25C	25-622	120	Foldable	205 g	Single	130	Black	Nylon Breaker
<b>CORMET</b>	TB86331200	700x23C	23-622	170	Foldable	200 g	Dual	130	Black	Nylon Breaker/ONE70
<b>COURCHEVEL</b>	TB86345300	700x23C	23-622	120	Foldable	225 g	3C	130	Black/Grey	3C/MaxxShield
<b>DETONATOR</b>	TB86352100	700x23C	23-622	60	Foldable	230 g	Dual	120	Grey	Silkworm
	TB86353700	700x23C	23-622	60	Foldable	220 g	Dual	120	White	Silkworm
	TB86353000	700x23C	23-622	60	Foldable	230 g	Dual	120	Blue	Silkworm
	TB86352000	700x23C	23-622	60	Foldable	230 g	Dual	120	Red	Silkworm
	TB86351700	700x23C	23-622	60	Foldable	220 g	Dual	120	Lime	Silkworm
	TB86352200	700x23C	23-622	60	Foldable	230 g	Dual	120	Yellow	Silkworm
	TB86352300	700x23C	23-622	60	Foldable	230 g	Dual	120	Orange	Silkworm
	TB86353600	700x23C	23-622	60	Foldable	220 g	Dual	120	Pink	Silkworm
	TB86367500	700x25C	25-622	60	Foldable	255 g	Dual	120	Grey	Silkworm
	<b>DOLOMITES</b>	TB81808000	700x23C	23-622	120	Foldable	185 g	Dual	130	Black
<b>FORZA</b>		TB88102000	28"x23mm	—	60	—	285 g	Dual	170	Black
	TB88200000	28"x25mm	—	60	—	305 g	Dual	170	Black	Silkworm
<b>PADRONE</b>	TB81794000	700x23C	23-622	120	Carbon Fiber	295 g	Dual	125	Black	Silkworm
	TB86470100	700x25C	25-622	120	Carbon Fiber	310 g	Dual	125	Black	Silkworm
<b>PADRONE TR</b>	TB81815100	700x23C	23-622	170	Carbon Fiber	250 g	Dual	125	Black	SilkShield/TR/ONE70
	TB86459100	700x25C	25-622	170	Carbon Fiber	260 g	Dual	125	Black	SilkShield/TR/ONE70
	TB81815200	700x28C	28-622	170	Carbon Fiber	300 g	Dual	115	Black	SilkShield/TR/ONE70
<b>RADIALE</b>	TB36382000	700x25C	25-622	120	Foldable	260 g	3C	145	Black	3C/Silkshield
<b>RADIALE TL</b>	TB86175000	700x22C	22-622	120	Carbon Fiber	280 g	Dual	125	Black	Silkworm
	TB86425000	700x24C	24-622	120	Carbon Fiber	305 g	Dual	125	Black	Silkworm
<b>RE-FUSE</b>	TB86336000	700x23C	23-622	60	Foldable	295 g	Single	120	Black	MaxxShield
	TB86359000	700x25C	25-622	60	Foldable	300 g	Single	120	Black	MaxxShield
	TB88505000	700x28C	28-622	60	Foldable	320 g	Single	120	Black	MaxxShield
<b>RELIX</b>	TB88106000	28"x23mm	—	120	—	280 g	Dual	170	Black	K2/Silkworm
	TB88207000	28"x25mm	—	120	—	305 g	Dual	170	Black	K2/Silkworm
	TB86238100	700x23C	23-622	170	Foldable	205 g	Dual	145	Black	SilkShield/ONE70
	TB86372000	700x25C	25-622	170	Foldable	215 g	Dual	145	Black	SilkShield/ONE70
<b>RELIX TT</b>	TB86238200	700x23C	23-622	170	Foldable	160 g	Single	145	Black/Grey	ONE70
<b>ROULER</b>	TB81793000	700x23C	23-622	120	Foldable	215 g	Dual	130	Black	SilkShield
<b>ROULER-TR</b>	TB88688000	700x28C	28-622	60	Carbon Fiber	360 g	Dual	115	Black	SilkShield/TR
<b>VELOCITA</b>	TB88150000	28"x28mm	—	120	—	405 g	Dual	130	Black	MaxxShield

**CYCLOCROSS**

MODEL	PART #	SIZE	ETRTO	TPI	BEAD	WEIGHT	COMPOUND	MAX PSI	TECH
<b>ALL TERRANE</b>	TB888994000	700x33C	33-622	60	Carbon Fiber	395	Dual	75	EXO/TR
	TB888994100	700x33C	33-622	120	Carbon Fiber	375	Dual	75	EXO/TR
<b>MUD TERRANE</b>	TB888996000	700x33C	33-622	60	Carbon Fiber	385	Dual	75	EXO/TR
	TB888996100	700x33C	33-622	120	Carbon Fiber	365	Dual	75	EXO/TR
<b>MUD WRESTLER</b>	TB888992100	700x33C	33-622	60	Carbon Fiber	395 g	Dual	75	EXO/TR
	TB888992200	700x33C	33-622	120	Carbon Fiber	375 g	Dual	75	EXO/TR
<b>RAZE</b>	TB888985200	700x33C	33-622	60	Foldable	355 g	Single	75	—
	TB88170000	28"x33mm	—	120	—	430 g	Single	65	Silkworm
<b>SPEED TERRANE</b>	TB888998100	700x33C	33-622	60	Carbon Fiber	415	Dual	75	EXO/TR
	TB888998000	700x33C	33-622	120	Carbon Fiber	395	Dual	75	EXO/TR

**GRAVEL ADVENTURE**

MODEL	PART #	SIZE	ETRTO	TPI	BEAD	WEIGHT	COMPOUND	MAX PSI	TECH
<b>RAMBLER</b>	TB97613100	700x38C	38-622	60	Carbon Fiber	435 g	Dual	75	SilkShield/TR
	TB97613200	700x38C	38-622	120	Carbon Fiber	400 g	Dual	75	EXO/TR
	TB96268100	700x40C	40-622	60	Carbon Fiber	420 g	Dual	75	SilkShield/TR
	TB96268000	700x40C	40-622	120	Carbon Fiber	375 g	Dual	75	EXO/TR
<b>RAVAGER</b>	TB96015000	700x40C	40-622	60	Carbon Fiber	530 g	Dual	75	SilkShield/TR
	TB96015100	700x40C	40-622	120	Carbon Fiber	485 g	Dual	75	EXO/TR
<b>RE-FUSE</b>	TB90924000	27.5x2.00	50-584	60	Foldable	610 g	Dual	60	MaxxShield/TR
	TB88861100	700x32C	32-622	60	Foldable	405 g	Single	100	MaxxShield
	TB88896000	700x32C	32-622	60	Carbon Fiber	390 g	Dual	75	MaxxShield/TR
	TB95987000	700x40C	40-622	60	Carbon Fiber	520 g	Dual	75	MaxxShield/TR

**HYBRID**

MODEL	PART #	SIZE	ETRTO	TPI	BEAD	WEIGHT	COMPOUND	MAX PSI	TECH
<b>DETONATOR</b>	TB58908000	26x1.50	40/38-559	60	Foldable	440 g	Single	80	—
	TB85917100	27.5x1.50	40-584	60	Foldable	480 g	Single	80	Silkworm
<b>GYPSY</b>	TB22781000	20x1.50	38-406	60	Wire	400 g	Dual	100	Silkworm
	TB58915000	26x1.50	38-559	60	Wire	495 g	Dual	80	Silkworm
	TB69917000	26x2.10	53-559	60	Wire	790 g	Dual	65	SilkShield/eBike
	TB95734000	700x38C	40-622	60	Wire	650 g	Dual	85	SilkShield
	TB95735000	700x38C	40-622	60	Wire	650 g	Dual	85	SilkShield/eBike
<b>OVERDRIVE</b>	TB64110600	26x1.75	47-559	60	Wire	610 g	Single	50	K2
	TB90905000	27.5x1.65	42-584	60	Foldable	585 g	Single	80	MaxxShield
	TB90905100	27.5x1.65	42-584	60	Wire	535 g	Single	80	Silkworm
<b>OVERDRIVE ELITE</b>	TB95688700	700x38C	40-622	60	Wire	580 g	Single	75	K2
	TB20120000	20x1.15	28-406	60	Wire	260 g	Single	100	K2
	TB22310000	20x1.35	32-406	60	Wire	365 g	Single	100	K2
	TB64506000	26x1.75	42-559	120	Foldable	540 g	Dual	80	K2/MaxxShield
	TB91438000	700x35C	35-622	120	Foldable	475 g	Dual	75	K2/MaxxShield

HYBRID

MODEL	PART #	SIZE	ETRTO	TPI	BEAD	WEIGHT	COMPOUND	MAX PSI	TECH
<b>OVERDRIVE II</b>	TB60867000	26x1.65	42-559	60	Foldable	560 g	Dual	80	MaxxShield
	TB60867100	26x1.65	42-559	60	Wire	510 g	Single	80	Silkworm
<b>RE-VOLT</b>	TB96630000	700x47C	47-622	60	Wire	655 g	Dual	75	SilkShield/eBike
<b>ROAMER</b>	TB23110000	20x1.65	42-406	60	Wire	460 g	Dual	100	Kevlar® Inside
	TB60865000	26x1.65	42-559	60	Wire	575 g	Dual	80	Kevlar® Inside
	TB96354000	700x42C	44-622	60	Wire	685 g	Dual	75	Kevlar® Inside
	TB96356000	700x42C	44-622	60	Wire	690 g	Dual	75	SilkShield/eBike

MOUNTAIN

MODEL	PART #	SIZE	ETRTO	TPI	BEAD	WEIGHT	COMPOUND	MAX PSI	TECH
<b>AGGRESSOR</b>	TB73310000	26x2.30	58-559	60	Foldable	815 g	Dual	60	EXO/TR
	TB73310100	26x2.30	58-559	2x120	Foldable	1005 g	Dual	60	TR/DD
	TB91009100	27.5x2.30	58-584	60	Foldable	845 g	Dual	60	EXO/TR
	TB91009200	27.5x2.30	58-584	2x120	Foldable	1050 g	Dual	60	TR/DD
	TB96882000	29x2.30	58-622	60	Foldable	900 g	Dual	60	EXO/TR
	TB96882100	29x2.30	58-622	2x120	Foldable	1115 g	Dual	60	TR/DD
<b>ARDENT</b>	TB72555000	26x2.25	54/56-559	60	Foldable	650 g	Single	65	—
	TB72560000	26x2.25	54/56-559	60	Foldable	705 g	Single	65	EXO
	TB72556000	26x2.25	54/56-559	120	Foldable	835 g	Dual	60	LUST/UST
	TB72569000	26x2.25	56-559	60	Foldable	695 g	Dual	60	TR
	TB72569100	26x2.25	56-559	60	Foldable	725 g	Dual	60	EXO/TR
	TB74177000	26x2.40	58/60-559	60	Foldable	790 g	Single	65	EXO
	TB72917000	26x2.40	61-559	60	Foldable	700 g	Dual	60	TR
	TB72917100	26x2.40	61-559	60	Foldable	745 g	Dual	60	EXO/TR
	TB85913000	27.5x2.25	57-584	60	Wire	740 g	Single	65	—
	TB85913100	27.5x2.25	57-584	60	Foldable	660 g	Single	65	—
	TB85913400	27.5x2.25	57-584	60	Foldable	720 g	Single	65	EXO
	TB85955000	27.5x2.25	56-584	60	Foldable	715 g	Dual	60	TR
	TB85955100	27.5x2.25	56-584	60	Foldable	755 g	Dual	60	EXO/TR
	TB85971000	27.5x2.25	61-584	60	Foldable	785 g	Single	65	SilkShield/ebike
	TB85967100	27.5x2.40	61-584	60	Foldable	775 g	Dual	60	EXO/TR
	TB96712000	29x2.25	54/56-622	60	Wire	780 g	Single	65	—
	TB96712500	29x2.25	54/56-622	60	Foldable	700 g	Single	65	—
	TB96712300	29x2.25	54/56-622	60	Foldable	700 g	Single	65	Skinwall
	TB96712900	29x2.25	54/56-622	120	Foldable	900 g	Dual	60	LUST/UST
	TB96712700	29x2.25	54/56-622	60	Foldable	750 g	Single	65	EXO
	TB96734000	29x2.25	56-622	60	Foldable	755 g	Dual	60	TR
TB96734100	29x2.25	56-622	60	Foldable	805 g	Dual	60	EXO/TR	
TB96789100	29x2.40	59/61-622	60	Foldable	750 g	Single	65	Skinwall	
TB96789000	29x2.40	59/61-622	60	Foldable	805 g	Single	65	EXO	
TB96793000	29x2.40	61-622	60	Foldable	775 g	Dual	60	TR	

MOUNTAIN

MODEL	PART #	SIZE	ETRTO	TPI	BEAD	WEIGHT	COMPOUND	MAX PSI	TECH
<b>ARDENT</b>	TB96793100	29x2.40	61-622	60	Foldable	825 g	Dual	60	EXO/TR
	TB96793500	29x2.40	61-622	60	Foldable	850 g	Dual	60	Skinwall/EXO/TR
<b>ARDENT RACE</b>	TB72374000	26x2.20	56-559	120	Foldable	605 g	3C Maxx Speed	60	3C/TR
	TB72374100	26x2.20	56-559	120	Foldable	650 g	3C Maxx Speed	60	3C/EXO/TR
	TB85918000	27.5x2.20	56-584	120	Foldable	635 g	3C Maxx Speed	60	3C/TR
	TB85918100	27.5x2.20	56-584	120	Foldable	680 g	3C Maxx Speed	60	3C/EXO/TR
	TB85945000	27.5x2.35	60-584	120	Foldable	655 g	3C Maxx Speed	60	3C/TR
	TB85945100	27.5x2.35	60-584	120	Foldable	705 g	3C Maxx Speed	60	3C/EXO/TR
	TB96742000	29x2.20	56-622	120	Foldable	670 g	3C Maxx Speed	60	3C/TR
	TB96742100	29x2.20	56-622	120	Foldable	720 g	3C Maxx Speed	60	3C/EXO/TR
	TB96726000	29x2.35	60-622	120	Foldable	695 g	3C Maxx Speed	60	3C/TR
	TB96726100	29x2.35	60-622	120	Foldable	745 g	3C Maxx Speed	60	3C/EXO/TR
	TB69797500	26x2.10	52-559	60	Foldable	560 g	Dual	65	—
<b>ASPEN</b>	TB69798000	26x2.10	52-559	120	Foldable	510 g	Dual	65	—
	TB69307000	26x2.10	52-559	120	Foldable	530 g	Dual	60	TR
	TB69307100	26x2.10	52-559	120	Foldable	570 g	Dual	60	EXO/TR
	TB72557500	26x2.25	54-559	60	Foldable	590 g	Dual	65	—
	TB90958000	27.5x2.10	52-584	120	Foldable	550 g	Dual	60	TR
	TB90958100	27.5x2.10	52-584	120	Foldable	590 g	Dual	60	EXO/TR
	TB96689000	29x2.10	52-622	120	Foldable	565 g	Dual	65	—
	TB96895400	29x2.25	57-622	120	Foldable	585 g	Dual	60	TR
	TB96895500	29x2.25	57-622	120	Foldable	645 g	Dual	60	EXO/TR
	TB88601100	26x2.00	50-559	120	Foldable	540 g	Dual	60	EXO/TR
<b>BEAVER</b>	TB72564000	26x2.25	57-559	60	Foldable	695 g	Dual	65	EXO
	TB90915100	27.5x2.00	50-584	120	Foldable	570 g	Dual	60	EXO/TR
	TB96820100	29x2.00	50-622	120	Foldable	600 g	Dual	60	EXO/TR
	TB96737000	29x2.25	57-622	60	Foldable	765 g	Dual	65	EXO
	TB69783200	26x2.10	52-559	120	Foldable	515 g	Single	65	Silkworm
	TB69783300	26x2.10	52-559	120	Foldable	570 g	Single	65	EXO
<b>CROSSMARK</b>	TB9624000	26x2.10	52-559	120	Foldable	730 g	Dual	60	LUST/UST
	TB69613000	26x2.10	52-559	60	Foldable	585 g	Dual	60	TR
	TB69613100	26x2.10	52-559	60	Foldable	620 g	Dual	60	EXO/TR
	TB72548000	26x2.25	54-559	60	Foldable	640 g	Single	65	—
	TB72545000	26x2.25	54-559	120	Foldable	885 g	Dual	60	LUST/UST
	TB72570000	26x2.25	54-559	60	Foldable	615 g	Dual	60	TR
	TB72570100	26x2.25	54-559	60	Foldable	655 g	Dual	60	EXO/TR
	TB85910100	27.5x2.10	53-584	60	Foldable	605 g	Single	65	—
	TB85910400	27.5x2.10	53-584	120	Foldable	515 g	Single	65	—
	TB90956000	27.5x2.10	52-584	60	Foldable	630 g	Dual	60	TR
	TB90956100	27.5x2.10	52-584	60	Foldable	655 g	Dual	60	EXO/TR
	TB91030000	27.5x2.25	54-584	60	Foldable	640 g	Dual	60	TR
	TB91030100	27.5x2.25	54-584	60	Foldable	690 g	Dual	60	EXO/TR
TB96699000	29x2.10	52/52-622	60	Foldable	635 g	Single	65	—	
TB96697000	29x2.10	53-622	120	Foldable	845 g	Dual	60	LUST/UST	



**MOUNTAIN**

MODEL	PART #	SIZE	ETRTO	TPI	BEAD	WEIGHT	COMPOUND	MAX PSI	TECH	
<b>CROSSMARK</b>	TB96665000	29x2.10	52-622	60	Foldable	645 g	Dual	60	TR	
	TB96665100	29x2.10	52-622	60	Foldable	685 g	Dual	60	EXO/TR	
	TB96736000	29x2.25	54-622	60	Foldable	680 g	Dual	60	TR	
	TB96736100	29x2.25	54-622	60	Foldable	725 g	Dual	60	EXO/TR	
<b>CROSSMARK II</b>	TB69854000	26x2.10	53-559	60	Foldable	595 g	Dual	60	TR	
	TB69854100	26x2.10	53-559	60	Foldable	635 g	Dual	60	EXO/TR	
	TB72642000	26x2.25	57-559	60	Foldable	660 g	Dual	60	TR	
	TB72642100	26x2.25	57-559	60	Foldable	705 g	Dual	60	EXO/TR	
	TB90955000	27.5x2.10	53-584	60	Foldable	620 g	Dual	60	TR	
	TB90955100	27.5x2.10	53-584	60	Foldable	665 g	Dual	60	EXO/TR	
	TB91032000	27.5x2.25	57-584	60	Foldable	685 g	Dual	60	TR	
	TB91032100	27.5x2.25	57-584	60	Foldable	735 g	Dual	60	EXO/TR	
	TB96752000	29x2.10	53-622	60	Foldable	655 g	Dual	60	TR	
	TB96752100	29x2.10	53-622	60	Foldable	700 g	Dual	60	EXO/TR	
	TB96795000	29x2.25	57-622	60	Foldable	730 g	Dual	60	TR	
	TB96795100	29x2.25	57-622	60	Foldable	780 g	Dual	60	EXO/TR	
<b>FOREKASTER</b>	TB90978000	27.5x2.20	56-584	120	Foldable	605 g	Dual	60	TR	
	TB90978100	27.5x2.20	56-584	120	Foldable	655 g	Dual	60	EXO/TR	
	TB85959500	27.5x2.35	52-584	120	Foldable	690 g	Dual	60	EXO/TR	
	TB91144300	27.5x2.60WT	66-584	60	Foldable	820 g	Dual	40	EXO/TR	
	TB91144200	27.5x2.60WT	66-584	120	Foldable	785 g	3C Maxx Speed	40	3C/EXO/TR	
	TB96705500	29x2.20	56-622	120	Foldable	640 g	Dual	60	TR	
	TB96705600	29x2.20	56-622	120	Foldable	690 g	Dual	60	EXO/TR	
	TB96733100	29x2.35	52-622	120	Foldable	735 g	Dual	60	EXO/TR	
	TB73432100	26x2.30	58-559	60	Foldable	735 g	3C Maxx Terra	60	3C/EXO/TR	
	TB73432000	26x2.30	58-559	2x120	Foldable	925 g	3C Maxx Terra	60	3C/TR/DD	
<b>GRIFFIN</b>	TB91008100	27.5x2.30	58-584	60	Foldable	765 g	3C Maxx Terra	60	3C/EXO/TR	
	TB91008000	27.5x2.30	58-584	2x120	Foldable	965 g	3C Maxx Terra	60	3C/TR/DD	
	TB96881100	29x2.30	58-622	60	Foldable	810 g	3C Maxx Terra	60	3C/EXO/TR	
	TB96881000	29x2.30	58-622	2x120	Foldable	1030 g	3C Maxx Terra	60	3C/TR/DD	
	<b>HIGH ROLLER</b>	TB69764400	26x2.10	47-559	60	Foldable	525 g	Single	65	—
		TB73614500	26x2.35	52-559	60	Wire	775 g	Single	65	—
TB73616200		26x2.35	52-559	60	Foldable	690 g	Single	65	—	
TB73613600		26x2.35	52-559	120	Foldable	920 g	Dual	60	LUST/UST	
<b>HIGH ROLLER II</b>	TB73307000	26x2.30	58-559	60	Foldable	815 g	Dual	60	EXO/TR	
	TB73307100	26x2.30	58-559	60	Foldable	835 g	3C Maxx Terra	60	3C/EXO/TR	
	TB73307300	26x2.30	58-559	2x120	Foldable	1025 g	3C Maxx Terra	60	3C/TR/DD	
	TB74177300	26x2.40	61-559	60	Foldable	870 g	Single	65	EXO	
	TB74177500	26x2.40	61-559	60	Foldable	855 g	Triple	65	3C/EXO	
	TB85923000	27.5x2.30	58-584	60	Foldable	845 g	Dual	60	EXO/TR	
	TB85923100	27.5x2.30	58-584	60	Foldable	870 g	3C Maxx Terra	60	3C/EXO/TR	
	TB85924600	27.5x2.30	58-584	2x120	Foldable	1065 g	3C Maxx Terra	60	3C/TR/DD	
	TB85915400	27.5x2.40	61-584	60	Foldable	910 g	Single	65	EXO	
	TB85915500	27.5x2.40	61-584	60	Foldable	890 g	3C Maxx Terra	65	3C/EXO	

**MOUNTAIN**

MODEL	PART #	SIZE	ETRTO	TPI	BEAD	WEIGHT	COMPOUND	MAX PSI	TECH
<b>HIGH ROLLER II</b>	TB91052100	27.5x2.40	61-584	60	Foldable	910 g	3C Maxx Terra	60	3C/EXO/TR
	TB85914800	27.5x2.40	61-584	60	Foldable	975 g	Single	65	SilkShield/eBike
	TB96769000	29x2.30	58-622	60	Foldable	890 g	Dual	60	EXO/TR
	TB96769100	29x2.30	58-622	60	Foldable	920 g	3C Maxx Terra	60	3C/EXO/TR
	TB96769600	29x2.30	58-622	2x120	Foldable	1135 g	3C Maxx Terra	60	3C/TR/DD
<b>IGNITOR</b>	TB69756900	26x2.10	47-559	60	Foldable	575 g	Single	65	—
	TB69757100	26x2.10	47-559	120	Foldable	505 g	Single	65	Silkworm
	TB69754200	26x2.10	47-559	120	Foldable	710 g	Dual	60	LUST/UST
	TB69306000	26x2.10	47-559	60	Foldable	590 g	Single	60	TR
	TB69306100	26x2.10	47-559	60	Foldable	620 g	Single	60	EXO/TR
	TB73561500	26x2.35	52-559	60	Foldable	690 g	Single	65	—
	TB73560000	26x2.35	52/55-559	60	Foldable	770 g	Single	65	EXO
	TB73457100	26x2.35	52-559	120	Foldable	855 g	Dual	60	LUST/UST
	TB73553000	26x2.35	52-559	60	Foldable	680 g	Single	60	TR
	TB73553100	26x2.35	52-559	60	Foldable	710 g	Single	60	EXO/TR
<b>IKON</b>	TB85957000	27.5x2.35	52-584	60	Foldable	710 g	Single	60	TR
	TB85957100	27.5x2.35	52-584	60	Foldable	740 g	Single	60	EXO/TR
	TB96696000	29x2.10	52/52-622	60	Foldable	635 g	Single	65	—
	TB96694500	29x2.10	52/52-622	120	Foldable	635 g	Single	65	EXO
	TB96657000	29x2.10	52-622	60	Foldable	670 g	Single	60	TR
	TB96657100	29x2.10	52-622	60	Foldable	715 g	Single	60	EXO/TR
	TB96732000	29x2.35	52-622	60	Foldable	750 g	Single	60	TR
	TB96732100	29x2.35	52-622	60	Foldable	785 g	Single	60	EXO/TR
	TB72385300	26x2.20	57-559	60	Foldable	540 g	Dual	65	—
	TB72385100	26x2.20	57-559	120	Foldable	480 g	3C Maxx Speed	65	3C/EXC
	TB72390000	26x2.20	57-559	120	Foldable	535 g	3C Maxx Speed	60	3C/TR
	TB72385000	26x2.20	57-559	120	Foldable	540 g	3C Maxx Speed	65	3C/EXO/EXC
	TB72390100	26x2.20	57-559	120	Foldable	585 g	3C Maxx Speed	60	3C/EXO/TR
	TB73497000	26x2.35	60-559	120	Foldable	590 g	3C Maxx Speed	65	3C
	TB73497100	26x2.35	60-559	120	Foldable	645 g	3C Maxx Speed	65	3C/EXO
TB73499000	26x2.35	60-559	120	Foldable	640 g	3C Maxx Speed	60	3C/TR	
TB73499100	26x2.35	60-559	120	Foldable	680 g	3C Maxx Speed	60	3C/EXO/TR	
TB85919600	27.5x2.20	56-584	60	Foldable	590 g	Dual	60	Skinwall/TR	
TB85919000	27.5x2.20	56-584	120	Foldable	600 g	3C Maxx Speed	60	3C/EXO/TR	
TB85920800	27.5x2.20	61-584	60	Foldable	685 g	Single	65	SilkShield/eBike	
TB85956000	27.5x2.35	60-584	120	Foldable	705 g	3C Maxx Speed	60	3C/EXO/TR	
TB96646000	29x2.00	50-622	120	Foldable	565 g	3C Maxx Speed	60	3C/TR	
TB96646100	29x2.00	50-622	120	Foldable	610 g	3C Maxx Speed	60	3C/EXO/TR	
TB96753300	29x2.20	57-662	60	Foldable	590 g	Dual	65	—	
TB96740800	29x2.20	57-622	60	Foldable	625 g	Dual	60	Skinwall/TR	
TB96753100	29x2.20	57-622	120	Foldable	530 g	3C Maxx Speed	65	3C	
TB96740000	29x2.20	57-622	120	Foldable	580 g	3C Maxx Speed	60	3C/TR	
TB96753000	29x2.20	57-622	120	Foldable	595 g	3C Maxx Speed	65	3C/EXO/EXC	

**MOUNTAIN**

MODEL	PART #	SIZE	ETRTO	TPI	BEAD	WEIGHT	COMPOUND	MAX PSI	TECH
<b>IKON</b>	TB96740100	29x2.20	57-622	120	Foldable	640 g	3C Maxx Speed	60	3C/EXO/TR
	TB96740700	29x2.20	57-622	60	Foldable	685 g	3C Maxx Speed	60	Skinwall/3C/EXO/TR
	TB96729000	29x2.35	60-622	120	Foldable	660 g	3C Maxx Speed	65	3C
	TB96729100	29x2.35	60-622	120	Foldable	725 g	3C Maxx Speed	65	3C/EXO
	TB96731000	29x2.35	60-622	120	Foldable	695 g	3C Maxx Speed	60	3C/TR
	TB96731100	29x2.35	60-622	120	Foldable	745 g	3C Maxx Speed	60	3C/EXO/TR
<b>MAXXLITE 29/285</b>	TB69089000	26x2.00	50-559	170	Foldable	285 g	Dual	60	Silkworm/ONE70
	TB85939000	27.5x2.00	50-584	170	Foldable	340 g	Dual	60	Silkworm/ONE70
	TB96685000	29x2.00	50-622	170	Foldable	345 g	Dual	60	Silkworm/ONE70
<b>MINION DHF</b>	TB73305100	26x2.30	58-559	60	Foldable	845 g	Dual	60	EXO/TR
	TB73305200	26x2.30	58-559	60	Foldable	840 g	3C Maxx Terra	60	3C/EXO/TR
	TB73305400	26x2.30	58-559	2x120	Foldable	1035 g	3C Maxx Terra	60	3C/TR/DD
	TB73550000	26x2.35	52-559	60	Wire	825 g	Super Tacky	65	ST
	TB73550400	26x2.35	52-559	60	Wire	785 g	Single	65	—
	TB73550800	26x2.35	52-559	60	Foldable	700 g	Single	65	—
	TB74267000	26x2.50	55/59-559	60	Foldable	880 g	Single	65	EXO
	TB74267300	26x2.50	55/59-559	60	Foldable	860 g	3C Maxx Terra	65	3C/EXO
	TB74267400	26x2.50	55/59-559	60	Foldable	940 g	Dual	65	ST/EXO
	TB85925100	27.5x2.30	58-584	60	Foldable	875 g	3C Maxx Terra	60	3C/EXO/TR
	TB85925500	27.5x2.30	58-584	60	Foldable	880 g	3C Maxx Terra	60	Skinwall/3C/EXO/TR
	TB85925600	27.5x2.30	58-584	2x120	Foldable	1075 g	3C Maxx Terra	60	3C/TR/DD
	TB85975000	27.5x2.50WT	63-584	60	Foldable	945 g	Dual	50	EXO/TR
	TB85975100	27.5x2.50WT	63-584	60	Foldable	945 g	3C Maxx Terra	50	3C/EXO/TR
	TB85975200	27.5x2.50WT	63-584	60	Foldable	980 g	3C Maxx Grip	50	3C/EXO/TR
	TB85975300	27.5x2.50WT	63-584	2x120	Foldable	1170 g	3C Maxx Grip	50	3C/TR/DD
	TB91146200	27.5x2.60WT	66-584	60	Foldable	965 g	Dual	40	EXO/TR
	TB91146300	27.5x2.60WT	66-584	120	Foldable	925 g	3C Maxx Terra	40	3C/EXO/TR
TB96785000	29x2.30	58-622	60	Foldable	925 g	Dual	60	EXO/TR	
TB96785100	29x2.30	58-622	60	Foldable	925 g	3C Maxx Terra	60	3C/EXO/TR	
TB96785400	29x2.30	58-622	2x120	Foldable	1145 g	3C Maxx Terra	60	3C/TR/DD	
TB96800000	29x2.50WT	63-622	60	Foldable	1005 g	Dual	50	EXO/TR	
TB96800300	29x2.50WT	63-622	60	Foldable	1015 g	3C Maxx Terra	50	3C/EXO/TR	
<b>MINION DHR II</b>	TB73303000	26x2.30	58-559	60	Foldable	775 g	Dual	60	EXO/TR
	TB73303100	26x2.30	58-559	60	Foldable	775 g	3C Maxx Terra	60	3C/EXO/TR
	TB73303200	26x2.30	58-559	2x120	Foldable	940 g	3C Maxx Terra	60	3C/TR/DD
	TB72907400	26x2.40WT	61-559	60	Foldable	905 g	Single	65	EXO
	TB72907500	26x2.40WT	61-559	60	Foldable	885 g	Super Tacky	65	ST/EXO
	TB72907300	26x2.40WT	61-559	60	Foldable	880 g	3C Maxx Terra	65	3C/EXO
	TB72910000	26x2.40WT	61-559	60	Foldable	865 g	Dual	50	EXO/TR
	TB72910100	26x2.40WT	61-559	60	Foldable	865 g	3C Maxx Terra	50	3C/EXO/TR
	TB85927200	27.5x2.30	58-584	60	Foldable	800 g	Dual	60	EXO/TR
	TB85927000	27.5x2.30	58-584	60	Foldable	800 g	3C Maxx Terra	60	3C/EXO/TR
	TB85927400	27.5x2.30	58-584	2x120	Foldable	1005 g	3C Maxx Terra	60	3C/TR/DD

**MOUNTAIN**

MODEL	PART #	SIZE	ETRTO	TPI	BEAD	WEIGHT	COMPOUND	MAX PSI	TECH	
<b>MINION DHR II</b>	TB85962000	27.5x2.40WT	61-584	60	Foldable	900 g	Dual	60	EXO/TR	
	TB85962100	27.5x2.40WT	61-584	60	Foldable	900 g	3C Maxx Terra	60	3C/EXO/TR	
	TB96776000	29x2.30	58-622	60	Foldable	855 g	Dual	60	EXO/TR	
	TB96776100	29x2.30	58-622	60	Foldable	855 g	3C Maxx Terra	60	3C/EXO/TR	
	TB96776400	29x2.30	58-622	2x120	Foldable	1040 g	3C Maxx Terra	60	3C/TR/DD	
	TB96797000	29x2.40WT	61-622	60	Foldable	955 g	Dual	50	EXO/TR	
	TB96797100	29x2.40WT	61-622	60	Foldable	955 g	3C Maxx Terra	50	3C/EXO/TR	
	<b>MINION SS</b>	TB73434000	26x2.30	58-559	60	Foldable	745 g	Dual	60	EXO/TR
		TB73434100	26x2.30	58-559	60	Foldable	760 g	Dual	60	Silkworm/EXO/TR
		TB73434200	26x2.30	58-559	2x120	Foldable	940 g	Dual	60	TR/DD
TB91007000		27.5x2.30	58-584	60	Foldable	775 g	Dual	60	EXO/TR	
TB91007100		27.5x2.30	58-584	60	Foldable	790 g	Dual	60	Silkworm/EXO/TR	
TB91007300		27.5x2.30	58-584	2x120	Foldable	975 g	Dual	60	TR/DD	
TB96778000		29x2.30	58-622	60	Foldable	820 g	Dual	60	EXO/TR	
TB96778100		29x2.30	58-622	60	Foldable	840 g	Dual	60	Silkworm/EXO/TR	
TB96778300		29x2.30	58-622	2x120	Foldable	1040 g	Dual	60	TR/DD	
<b>PACE</b>		TB69309100	26x2.10	53-559	60	Foldable	545 g	Single	65	—
	TB69300000	26x2.10	53-559	60	Foldable	550 g	Dual	60	TR	
	TB69300100	26x2.10	53-559	60	Foldable	585 g	Dual	60	EXO/TR	
	TB90942100	27.5x2.10	53-584	60	Foldable	575 g	Single	65	—	
	TB90964000	27.5x2.10	53-584	60	Foldable	575 g	Dual	60	TR	
	TB90964100	27.5x2.10	53-584	60	Foldable	620 g	Dual	60	EXO/TR	
	TB96667100	29x2.10	53-622	60	Foldable	605 g	Single	65	—	
	TB96764000	29x2.10	53-622	60	Foldable	610 g	Dual	60	TR	
	TB96764100	29x2.10	53-622	60	Foldable	650 g	Dual	60	EXO/TR	
	<b>RACE TT</b>	TB90919100	27.5x2.00	50-584	60	Foldable	585 g	Dual	60	TR
TB90919000		27.5x2.00	50-584	60	Foldable	625 g	Dual	60	EXO/TR	
TB96822100		29x2.00	50-622	60	Foldable	620 g	Dual	60	TR	
TB96822000		29x2.00	50-622	60	Foldable	665 g	Dual	60	EXO/TR	
<b>REKON</b>		TB91145300	27.5x2.60WT	66-584	60	Foldable	805 g	Dual	40	EXO/TR
	TB91145200	27.5x2.60WT	66-584	120	Foldable	730 g	3C Maxx Terra	40	3C/EXO/TR	
	TB73309000	26x2.30	58-559	60	Foldable	780 g	3C Maxx Terra	60	3C/TR	
<b>SHORTY</b>	TB73309100	26x2.30	58-559	60	Foldable	825 g	3C Maxx Terra	60	3C/EXO/TR	
	TB74296000	26x2.50	63-559	60	Foldable	925 g	3C Maxx Terra	50	3C/EXO/TR	
	TB85924000	27.5x2.30	58-584	60	Foldable	815 g	3C Maxx Terra	60	3C/TR	
	TB85924100	27.5x2.30	58-584	60	Foldable	865 g	3C Maxx Terra	60	3C/EXO/TR	
	TB85979000	27.5x2.50WT	63-584	60	Foldable	965 g	3C Maxx Terra	50	3C/EXO/TR	
	TB85979100	27.5x2.50WT	63-584	2x120	Foldable	1170 g	3C Maxx Grip	50	3C/TR/DD	
	TB96722000	29x2.30	58-622	60	Foldable	860 g	3C Maxx Terra	60	3C/TR	
	TB96722100	29x2.30	58-622	60	Foldable	910 g	3C Maxx Terra	60	3C/EXO/TR	
	TB96804000	29x2.50WT	63-622	60	Foldable	1025 g	3C Maxx Terra	50	3C/EXO/TR	
	<b>SNYPER</b>	TB49307200	24x2.00	50-507	60	Foldable	600 g	Dual	65	SilkShield
TB49307300		24x2.00	50-507	60	Wire	655 g	Dual	65	SilkShield	



**MOUNTAIN**

MODEL	PART #	SIZE	ETRTO	TPI	BEAD	WEIGHT	COMPOUND	MAX PSI	TECH
<b>TOMAHAWK</b>	TB73119300	26x2.30	58-559	60	Foldable	770 g	3C Maxx Terra	60	3C/EXO/TR
	TB73119200	26x2.30	58-559	2x120	Foldable	960 g	3C Maxx Terra	60	3C/TR/DD
	TB91000300	27.5x2.30	58-584	60	Foldable	800 g	3C Maxx Terra	60	3C/EXO/TR
	TB91000200	27.5x2.30	58-584	2x120	Foldable	1005 g	3C Maxx Terra	60	3C/TR/DD
	TB96880100	29x2.30	58-622	60	Foldable	850 g	3C Maxx Terra	60	3C/EXO/TR
	TB96880000	29x2.30	58-622	2x120	Foldable	1070 g	3C Maxx Terra	60	3C/TR/DD
<b>TREAD LITE</b>	TB70064000	26x2.10	53-559	120	Foldable	530 g	Dual	60	TR
	TB70064100	26x2.10	53-559	120	Foldable	565 g	Dual	60	EXO/TR
	TB90946000	27.5x2.10	53-584	120	Foldable	555 g	Dual	60	TR
	TB90946100	27.5x2.10	53-584	120	Foldable	595 g	Dual	60	EXO/TR
	TB96659000	29x2.10	53-622	120	Foldable	590 g	Dual	60	TR
	TB96659100	29x2.10	53-622	120	Foldable	630 g	Dual	60	EXO/TR

**DOWNHILL**

MODEL	PART #	SIZE	ETRTO	TPI	BEAD	WEIGHT	COMPOUND	MAX PSI	TECH
<b>GRIFFIN</b>	TB72919100	26x2.40	61-559	60	Wire	1140 g	Super Tacky	65	ST
	TB72919000	26x2.40	61-559	60	Wire	1130 g	3C Maxx Grip	65	3C
	TB85969100	27.5x2.40	61-584	60	Wire	1190 g	Super Tacky	65	ST
	TB85969000	27.5x2.40	61-584	60	Wire	1180 g	3C Maxx Grip	65	3C
<b>HIGH ROLLER</b>	TB50653300	24x2.50	55-507	60	Wire	1080 g	Single	65	—
	TB74302100	26x2.50	54-559	60	Wire	1180 g	Single	65	—
	TB74220000	26x2.50	55-559	27	Foldable	1215 g	Super Tacky	55	UST/ST
<b>HIGH ROLLER II</b>	TB74301600	26x2.50	54-559	60	Wire	1265 g	3C Maxx Grip	65	3C
	TB74177200	26x2.40	61-559	60	Wire	1205 g	Single	65	—
	TB74177100	26x2.40	61-559	60	Wire	1260 g	3C Maxx Grip	65	3C
<b>MINION DHF</b>	TB74177600	26x2.40	61-559	60	Wire	1225 g	Super Tacky	65	ST
	TB85915300	27.5x2.40	61-584	60	Wire	1250 g	Single	65	—
	TB85915100	27.5x2.40	61-584	60	Wire	1270 g	Super Tacky	65	ST
	TB85915200	27.5x2.40	61-584	60	Wire	1305 g	3C Maxx Grip	65	3C
	TB91052000	27.5x2.40	61-584	60	Foldable	1230 g	3C Maxx Grip	60	3C/TR
	TB74265700	26x2.50	55-559	60	Wire	1180 g	Single	65	—
	TB74265000	26x2.50	55-559	60	Wire	1200 g	Super Tacky	65	ST
<b>MINION DHR II</b>	TB74262000	26x2.50	55-559	27	Foldable	1180 g	Super Tacky	55	UST/ST
	TB74265500	26x2.50	55-559	60	Wire	1265 g	3C Maxx Grip	65	3C
	TB74269000	26x2.50	55-559	60	Wire	1270 g	3C Maxx Grip	65	3C/Skinwall
	TB85976100	27.5x2.50	63-584	60	Wire	1390 g	Super Tacky	50	ST
	TB85976000	27.5x2.50	63-584	60	Wire	1390 g	3C Maxx Grip	50	3C
	TB96800100	29x2.50	63-622	60	Foldable	1250 g	Dual	50	EXO/TR
	TB96800200	29x2.50	63-622	60	Foldable	1295 g	3C Maxx Grip	50	3C/EXO/TR

**DOWNHILL**

MODEL	PART #	SIZE	ETRTO	TPI	BEAD	WEIGHT	COMPOUND	MAX PSI	TECH
<b>MINION DHR II</b>	TB72907000	26x2.40	61-559	60	Wire	1240 g	Single	65	—
	TB72907100	26x2.40	61-559	60	Wire	1265 g	3C Maxx Grip	65	3C
	TB72907200	26x2.40	61-559	60	Wire	1225 g	Super Tacky	65	ST
	TB91051600	27.5x2.40	61-584	60x2	Wire	1285 g	Single	65	—
	TB91051100	27.5x2.40	61-584	60	Wire	1270 g	Super Tacky	65	ST
	TB91051000	27.5x2.40	61-584	60	Wire	1315 g	3C Maxx Grip	65	3C
<b>MINION SS</b>	TB85973100	27.5x2.50	63-584	60	Wire	1335 g	Super Tacky	65	ST
	TB85973000	27.5x2.50	63-584	60	Wire	1335 g	3C Maxx Grip	65	3C
<b>SHORTY</b>	TB72911100	26x2.40	61-559	60	Wire	1215 g	Super Tacky	65	ST
	TB72911000	26x2.40	61-559	60	Wire	1215 g	3C Maxx Grip	65	3C
	TB91056100	27.5x2.40	61-584	60	Wire	1270 g	Super Tacky	65	ST
	TB91056000	27.5x2.40	61-584	60	Wire	1270 g	3C Maxx Grip	65	3C
<b>WETSCREAM</b>	TB74276000	26x2.50	55-559	60	Wire	1160 g	Super Tacky	65	ST
	TB85977000	27.5x2.50	55-584	60	Wire	1205 g	Super Tacky	65	ST
	TB85977100	27.5x2.50	55-584	2x120	Foldable	1015 g	Super Tacky	65	ST/DD

**FAT / PLUS**

MODEL	PART #	SIZE	ETRTO	TPI	BEAD	WEIGHT	COMPOUND	MAX PSI	TECH
<b>CHRONICLE</b>	TB91150200	27.5x3.00	76-584	60	Foldable	985 g	Dual	30	—
	TB91150100	27.5x3.00	76-584	120	Foldable	935 g	Dual	30	—
	TB91150000	27.5x3.00	76-584	120	Foldable	990 g	Dual	30	EXO/TR
	TB96833200	29x3.00	76-622	60	Foldable	1040 g	Dual	30	—
	TB96833000	29x3.00	76-622	120	Foldable	1060 g	Dual	30	EXO
	TB96833300	29x3.00	76-622	120	Foldable	1050 g	Dual	30	EXO/TR
<b>COLOSSUS</b>	TB72660200	26x4.80	122-559	60	Foldable	1520 g	Dual	20	—
	TB72660100	26x4.80	122-559	120	Foldable	1445 g	Dual	20	—
	TB72660000	26x4.80	122-559	120	Foldable	1515 g	Dual	20	EXO/TR
<b>HIGH ROLLER II</b>	TB96910100	27.5x2.80	71-584	60	Foldable	1040 g	Dual	35	EXO/TR
	TB96910000	27.5x2.80	71-584	120	Foldable	980 g	3C Maxx Terra	35	3C/EXO/TR
	TB91154100	27.5x3.00	76-584	60	Foldable	1055 g	Dual	30	EXO/TR
	TB91154000	27.5x3.00	76-584	120	Foldable	990 g	3C Maxx Terra	30	3C/EXO/TR
<b>IKON +</b>	TB96904200	27.5x2.80	71-584	120	Foldable	725 g	Dual	35	-
	TB96904100	27.5x2.80	71-584	120	Foldable	770 g	Dual	35	EXO/TR
	TB96904000	27.5x2.80	71-584	120	Foldable	770 g	3C Speed	35	3C/EXO/TR
<b>MAMMOTH</b>	TB72650200	26x4.00	102-559	60	Foldable	1270 g	Dual	30	—
	TB72650000	26x4.00	102-559	120	Foldable	1285 g	Dual	30	EXO
	TB72650500	26x4.00	102-559	120	Foldable	1275 g	Dual	30	EXO/TR
<b>MINION DHF</b>	TB74392100	26x2.80	71-599	60	Foldable	1000 g	Dual	35	EXO/TR
	TB74392000	26x2.80	71-599	120	Foldable	940 g	3C Maxx Terra	35	3C/EXO/TR
	TB96908100	27.5x2.80	71-584	60	Foldable	1040 g	Dual	35	EXO/TR
	TB96908000	27.5x2.80	71-584	120	Foldable	980 g	3C Maxx Terra	35	3C/EXO/TR
	TB96834100	29x3.00	76-622	60	Foldable	1160 g	Dual	30	EXO/TR
	TB96834000	29x3.00	76-622	120	Foldable	1110 g	3C Maxx Terra	30	3C/EXO/TR

FAT / PLUS

MODEL	PART #	SIZE	ETRTO	TPI	BEAD	WEIGHT	COMPOUND	MAX PSI	TECH
<b>MINION DHR II</b>	TB74394100	26x2.80	71-599	60	Foldable	1000 g	Dual	35	EXO/TR
	TB74394000	26x2.80	71-599	120	Foldable	940 g	3C Maxx Terra	35	3C/EXO/TR
	TB96909100	27.5x2.80	71-584	60	Foldable	1040 g	Dual	35	EXO/TR
	TB96909000	27.5x2.80	71-584	120	Foldable	980 g	3C Maxx Terra	35	3C/EXO/TR
	TB96835100	29x3.00	76-622	60	Foldable	1160 g	Dual	30	EXO/TR
TB96835200	29x3.00	76-622	120	Foldable	1110 g	3C Maxx Terra	30	3C/EXO/TR	
<b>MINION FBF</b>	TB72655200	26x4.00	102-559	60	Foldable	1290 g	Dual	30	—
	TB72655100	26x4.00	102-559	120	Foldable	1225 g	Dual	30	—
	TB72655000	26x4.00	102-559	120	Foldable	1295 g	Dual	30	EXO/TR
	TB72662200	26x4.80	122-559	60	Foldable	1650 g	Dual	20	—
	TB72662100	26x4.80	122-559	120	Foldable	1575 g	Dual	20	—
TB72662000	26x4.80	122-559	120	Foldable	1645 g	Dual	20	EXO/TR	
TB91183000	27.5x3.80	97-584	60	Foldable	1470 g	Dual	30	—	
TB91182200	27.5x3.80	97-584	120	Foldable	1400 g	Dual	30	—	
TB91182000	27.5x3.80	97-584	120	Foldable	1475 g	Dual	30	EXO/TR	
<b>MINION FBR</b>	TB72656200	26x4.00	102-559	60	Foldable	1360 g	Dual	30	—
	TB72656100	26x4.00	102-559	120	Foldable	1295 g	Dual	30	—
	TB72656000	26x4.00	102-559	120	Foldable	1365 g	Dual	30	EXO/TR
	TB72664200	26x4.80	122-559	60	Foldable	1625 g	Dual	20	—
	TB72664100	26x4.80	122-559	120	Foldable	1550 g	Dual	20	—
TB72664000	26x4.80	122-559	120	Foldable	1620 g	Dual	20	EXO/TR	
TB91184200	27.5x3.80	97-584	60	Foldable	1280 g	Dual	30	—	
TB91184100	27.5x3.80	97-584	120	Foldable	1210 g	Dual	30	—	
TB91184000	27.5x3.80	97-584	120	Foldable	1285 g	Dual	30	EXO/TR	
<b>REKON +</b>	TB96906000	27.5x2.80	71-584	60	Foldable	825 g	Dual	35	EXO/TR
	TB96906100	27.5x2.80	71-584	120	Foldable	780 g	3C Maxx Terra	35	3C/EXO/TR
	TB96906500	27.5x2.80	71-584	120	Foldable	885 g	3C Maxx Terra	35	3C/SilkShield/EXO/TR

URBAN

MODEL	PART #	SIZE	ETRTO	TPI	BEAD	WEIGHT	COMPOUND	MAX PSI	TECH
<b>DTH</b>	TB72683000	26x2.15	52/54-559	60	Foldable	550 g	Single	80	—
	TB72683100	26x2.15	52/54-559	60	Foldable	555 g	Single	80	Skinwall
	TB73300000	26x2.30	55/58-559	60	Wire	730 g	Single	65	—
	TB73301000	26x2.30	55/58-559	60	Foldable	650 g	Single	65	—
	TB73300300	26x2.30	55/58-559	60	Foldable	650 g	Single	65	Skinwall
<b>GRIFTER</b>	TB96648100	29x2.00	50-622	60	Foldable	655 g	Single	65	—
	TB96802000	29x2.50	64-622	60	Wire	885 g	Single	65	—
<b>HOLY ROLLER</b>	TB72392000	26x2.20	52-559	60	Wire	800 g	Single	65	—
	TB74180100	26x2.40	55-559	60	Wire	830 g	Single	65	—
<b>HOOKWORM</b>	TB74255100	26x2.50	63-559	60	Wire	1125 g	Single	65	—
	TB96805000	29x2.50	63-622	60	Wire	1230 g	Single	65	—
<b>TORCH</b>	TB96851200	29x2.10	53-622	120	Foldable	625 g	Single	65	Silkworm

BMX

MODEL	PART #	SIZE	ETRTO	TPI	BEAD	WEIGHT	COMPOUND	MAX PSI	TECH
<b>DTH</b>	TB20352000	20x1 1/8	28-451	120	Wire	245 g	Dual	85	Silkworm
	TB20629000	20x1 3/8	37-451	120	Wire	315 g	Dual	65	Silkworm
	TB22329500	20x1.50	38-406	120	Foldable	295 g	Dual	110	Silkworm
	TB24751000	20x1.75	44-406	120	Foldable	345 g	Dual	110	Silkworm
	TB29464500	20x1.95	49-406	120	Foldable	375 g	Dual	110	Silkworm
TB31025000	20x2.20	56-406	120	Foldable	485 g	Dual	110	Silkworm	
TB47649000	24x1.75	44-507	120	Wire	440 g	Dual	65	Silkworm	
<b>GRIFTER</b>	TB29643000	20x1.85	48-406	120	Foldable	410 g	Dual	110	SilkShield
	TB29643100	20x1.85	48-406	60	Foldable	505 g	Dual	110	Skinwall
	TB30704600	20x2.10	53-406	120	Foldable	455 g	Dual	110	SilkShield
	TB30704200	20x2.10	53-406	60	Foldable	550 g	Dual	110	Skinwall
	TB35849200	20x2.30	58-406	120	Foldable	560 g	Dual	110	SilkShield
TB35849000	20x2.30	58-406	60	Foldable	635 g	Dual	110	Skinwall	
TB35949000	20x2.40	61-406	60	Foldable	605 g	Dual	110	SilkShield	
<b>HOLY ROLLER</b>	TB20350000	20x1 1/8	28-451	60	Wire	255 g	Single	85	—
	TB20628000	20x1 3/8	37-451	60	Wire	345 g	Single	65	—
	TB24748000	20x1.75	47-406	60	Wire	425 g	Single	60	—
	TB29478000	20x1.95	53-406	60	Wire	495 g	Single	60	—
	TB31020000	20x2.20	56-406	60	Wire	570 g	Single	60	—
TB47640000	24x1.75	47-507	60	Wire	525 g	Single	60	—	
TB49212000	24x1.85	50-507	60	Wire	610 g	Single	60	—	
<b>HOOKWORM</b>	TB14410000	16x1.95	53-305	60	Wire	515 g	Single	110	—
	TB29461000	20x1.95	53-406	60	Wire	655 g	Single	110	—
<b>MAXXDADDY</b>	TB29682000	20x2.00	54-406	60	Wire	535 g	Single	40	—
<b>RIZER</b>	TB30909000	20x2.15	53-406	60	Foldable	545 g	Dual	110	SilkShield
	TB35858000	20x2.30	58-406	60	Foldable	590 g	Dual	110	SilkShield
<b>TORCH</b>	TB20354000	20x1 1/8	28-451	120	Wire	260 g	Dual	85	Silkworm
	TB20626000	20x1 3/8	37-451	120	Wire	310 g	Dual	100	Silkworm
	TB22783100	20x1.50	38-406	120	Foldable	320 g	Dual	110	SilkShield
	TB24755100	20x1.75	44-406	120	Foldable	360 g	Dual	110	SilkShield
	TB24755200	20x1.75	44-406	60	Foldable	445 g	Dual	110	Skinwall
	TB29519100	20x1.95	49-406	120	Foldable	395 g	Dual	110	SilkShield
	TB29519300	20x1.95	49-406	60	Foldable	490 g	Dual	110	Skinwall
	TB31032000	20x2.20	56-406	60	Foldable	475 g	Dual	110	SilkShield
	TB47641000	24x1.75	44-507	120	Wire	450 g	Dual	65	Silkworm

MODIFIED TRIALS

MODEL	PART #	SIZE	ETRTO	TPI	BEAD	WEIGHT	COMPOUND	MAX PSI	TECH
<b>CREEPY CRAWLER F</b>	TB29688100	20x2.00	54-406	60	Wire	625 g	Super Tacky	50	ST
<b>CREEPY CRAWLER R</b>	TB35877000	20x2.50	67-387	25	Wire	1070 g	Super Tacky	50	ST



MODULAR VALVE SYSTEM

MODEL	PART #	SIZE	WEIGHT	VALVE TYPE	COLOR
<b>MVS STEMS</b>	OT00119000	60MM	4 g	Modular Valve Stem	Black
	OT00127000	60MM	4 g	Modular Valve Stem	Orange
	OT00128000	80MM	5 g	Modular Valve Stem	Black
	OT00136000	80MM	5 g	Modular Valve Stem	Orange
<b>MVS FLYWEIGHT TUBES</b>	IB65002000	26x1.90/2.125 FLYWEIGHT TUBE	91 g(non valve)	MVS	Black
	IB84002000	700x18/25C FLYWEIGHT TUBE	47 g(non valve)	MVS	Black
<b>MVS ULTRALIGHT TUBES</b>	IB65001000	26x1.90/2.125 ULTRALIGHT TUBE	122 g(non valve)	MVS	Black
	IB84001000	700x18/25C ULTRALIGHT TUBE	62 g(non valve)	MVS	Black

TUBES

MODEL	PART #	SIZE	WEIGHT	VALVE TYPE
<b>DOWNHILL</b>	IB49959900	24x2.50/2.70	426 g	Presta RVC
	IB49963000	24x2.50/2.70	427 g	Schrader
	IB68560100	26x2.50/2.70	448 g	Presta RVC
	IB68566000	26x2.50/2.70	449 g	Schrader
	<b>FAT / PLUS</b>	IB68600200	26x3.8/5.0	427
IB68600800		26x3.8/5.0	428	Schrader
IB75660000		27.5x3.8/5.0	439	Presta RVC
IB75665000		27.5x3.8/5.0	440	Presta 48mm RVC
IB75670000		27.5x3.8/5.0	440	Schrader
IB75501000		27.5x2.5/3.0	364	Presta RVC
IB75511000		27.5x2.5/3.0	365	Schrader
IB97200200		29x2.5/3.0	390	Presta RVC
IB97200400		29x2.5/3.0	391	Presta 48mm RVC
<b>FLYWEIGHT</b>		SIB6388410	26x1.90/2.125	94 g
	SIB7512000	27.5x1.90/2.125	108 g	Presta RVC
	SIB6987820	700x18/25C	52 g	Presta 60mm RVC
	SIB9684500	29x1.90/2.125	115 g	Presta RVC
<b>FREERIDE</b>	IB67446800	26x2.20/2.50	293 g	Presta RVC
	IB67445000	26x2.20/2.50	294 g	Schrader
	IB75102000	27.5x2.20/2.50	327 g	Schrader
	IB75105100	27.5x2.2/2.5	326 g	Presta RVC
	IB75109100	27.5x2.2/2.5	327 g	Presta 48mm RVC
<b>ULTRALIGHT</b>	IB25400000	20x1.50/1.75	83 g	Schrader
	IB29520000	20x1.90/2.125	95 g	Schrader
	IB59763900	26x1.50/1.75	110 g	Presta RVC
	IB60064200	26x1.50/1.75	111 g	Presta 48mm RVC
	IB63828900	26x1.90/2.125	125 g	Presta RVC
	IB63810000	26x1.90/2.125	126 g	Schrader
	IB51596200	650x18/25C	69 g	Presta 48mm RVC
	IB75076300	27.5x1.90/2.35	144 g	Presta RVC
	IB75077200	27.5x1.90/2.35	145 g	Presta RVC

TUBES

MODEL	PART #	SIZE	WEIGHT	VALVE TYPE
<b>ULTRALIGHT</b>	IB96827400	29x1.90/2.35	154 g	Presta RVC
	IB96827600	29x1.90/2.35	155 g	Presta 48mm RVC
	IB69838600	700x18/25C	66 g	Presta 48mm RVC
<b>WELTERWEIGHT</b>	IB14205000	16x1.90/2.125	96 g	Schrader
	IB29513000	20x1.90/2.125	122 g	Schrader
	IB22993000	20x11/4-13/8	106 g	Presta RVC
	IB29513200	20x1.90/2.125	121 g	Presta RVC
	IB48713000	24x1.90/2.125	147 g	Presta RVC
	IB49899000	24x1.90/2.125	148 g	Schrader
	IB63464200	26x1.90/2.125	161 g	Presta RVC
	IB67681000	26x1.90/2.125	162 g	Schrader
	IB75078400	27.5x1.90/2.35	190 g	Presta RVC
	IB75079300	27.5x1.90/2.35	191 g	Presta RVC
	IB75097100	27.5x2.20/2.50	221 g	Presta RVC
	IB96826100	29x1.90/2.35	177 g	Presta RVC
	IB81555100	700x18/25,27x7/8-1	84 g	Presta 48mm RVC
	IB81556100	700x18/25,27x7/8-1	85 g	Presta 60mm RVC
	IB94198100	700x35/45,27x1 3/8-1 3/4	127 g	Presta RVC



PICTER: KATERINA WASH





RIDER: GEOFF KABUSH - PHOTO: JOHN GIBSON



